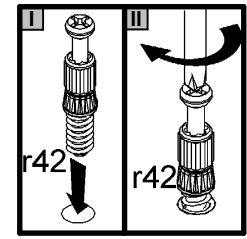
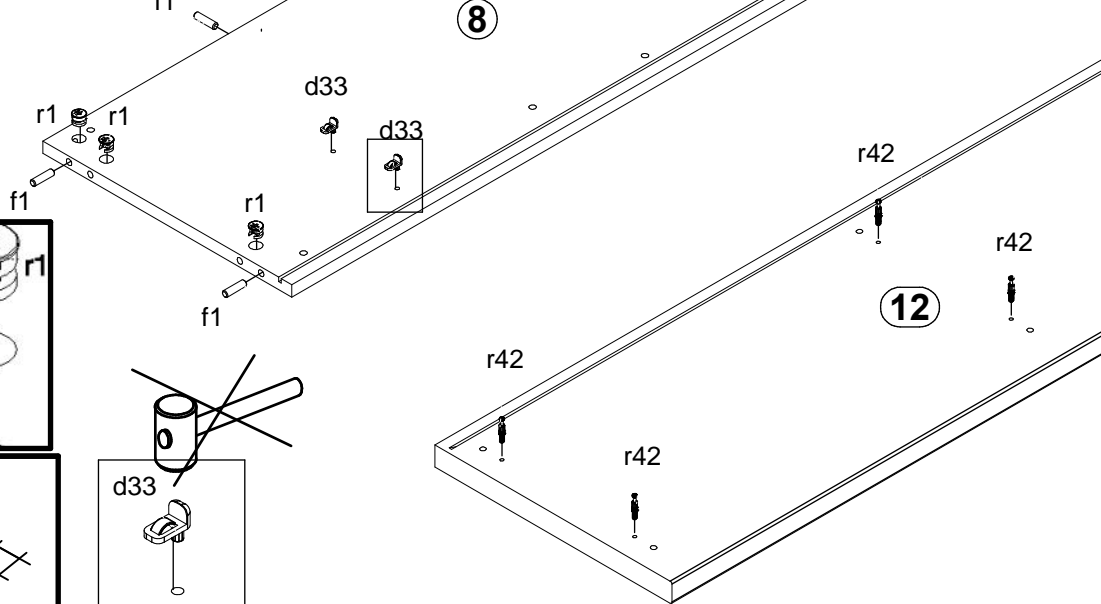
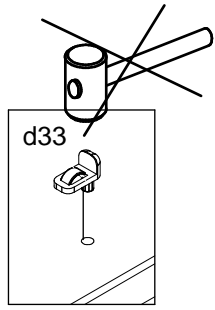
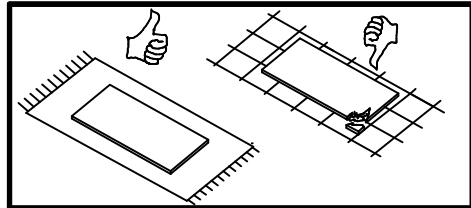
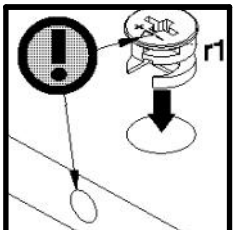
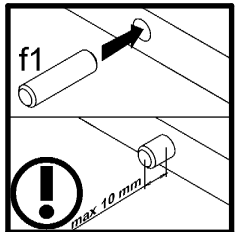
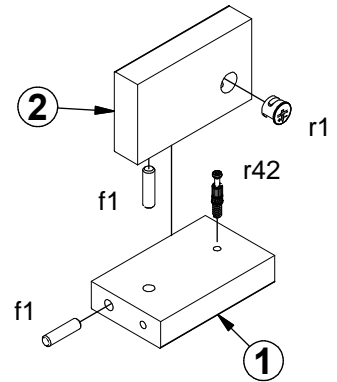
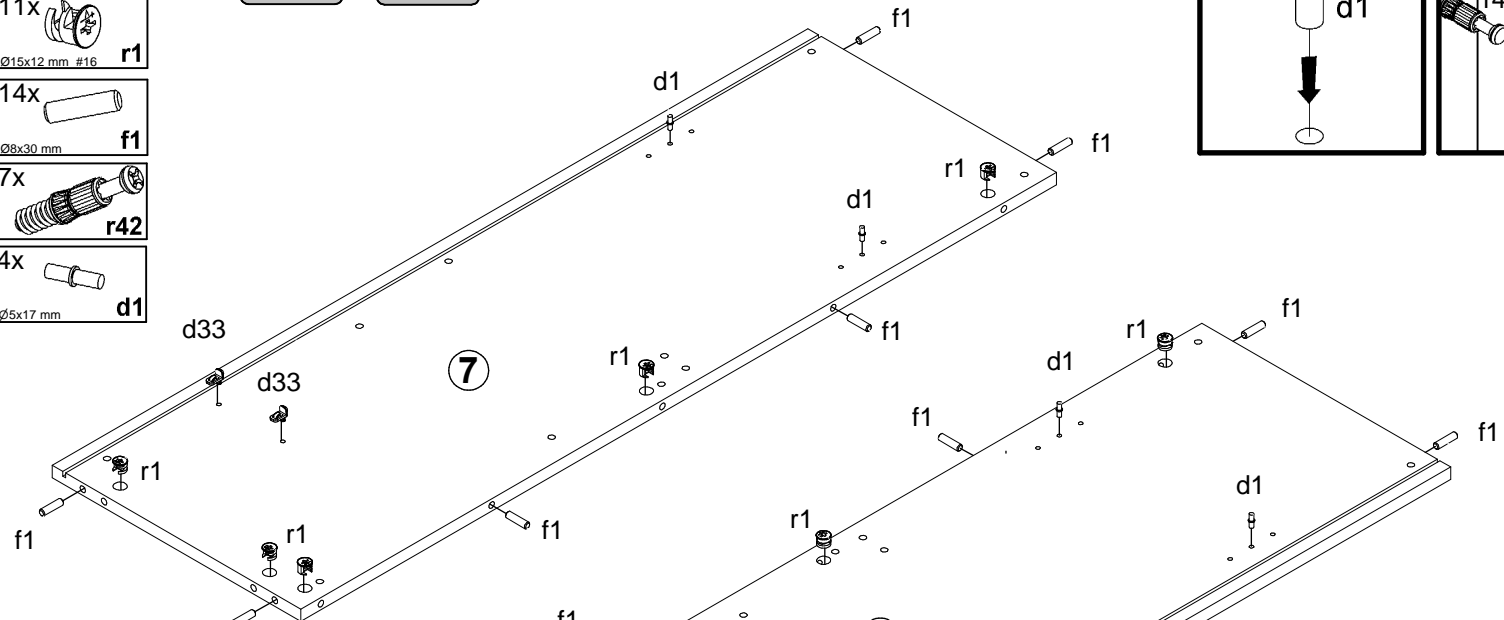
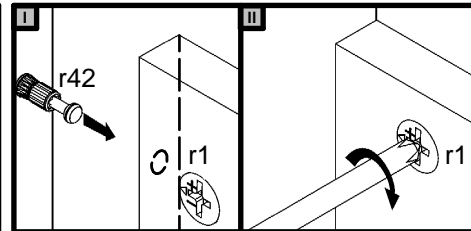
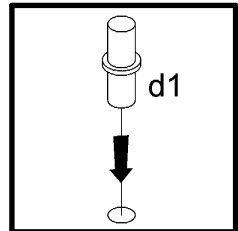
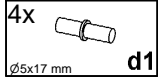
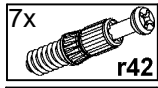
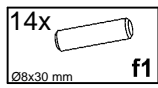
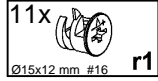
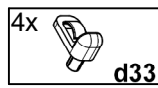
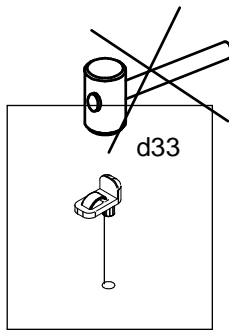
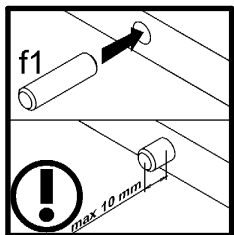
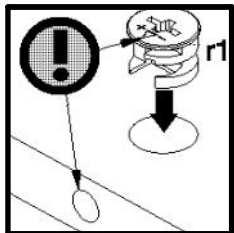
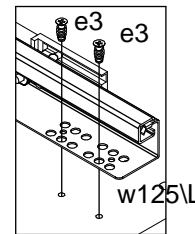
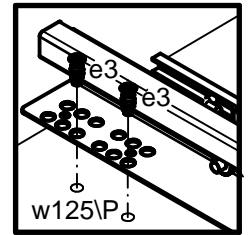
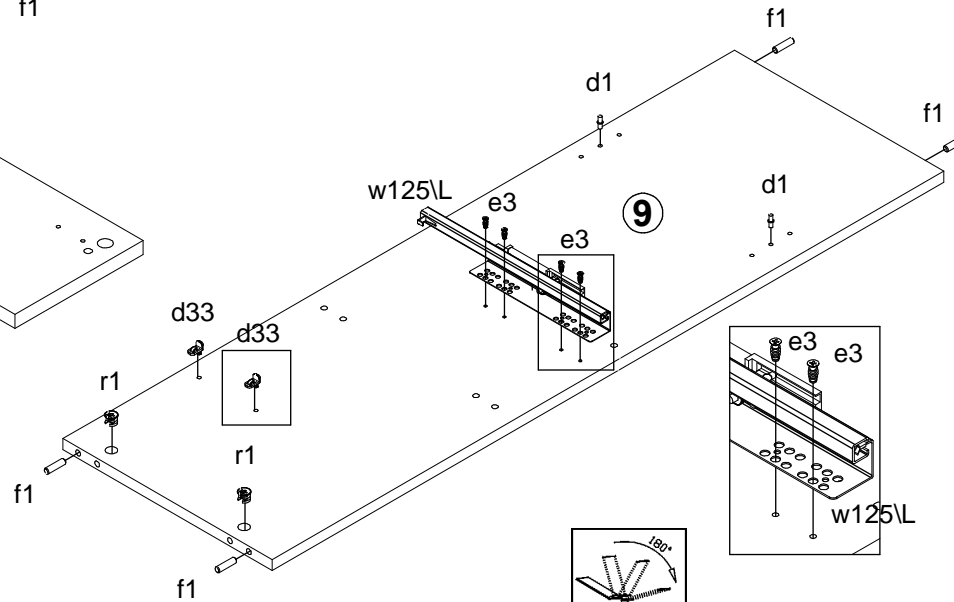
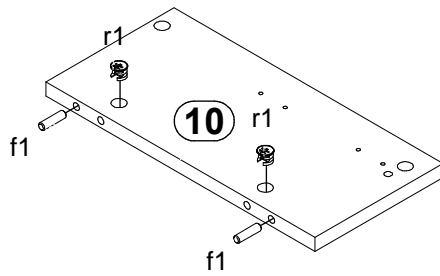
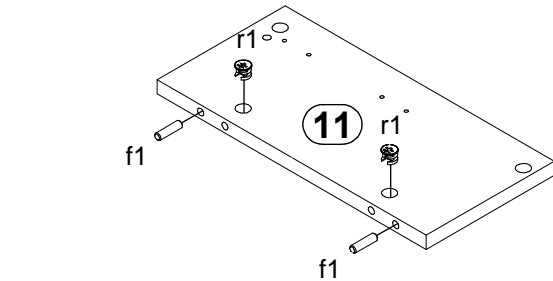
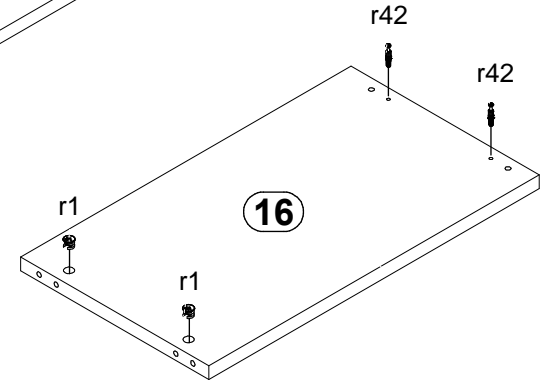
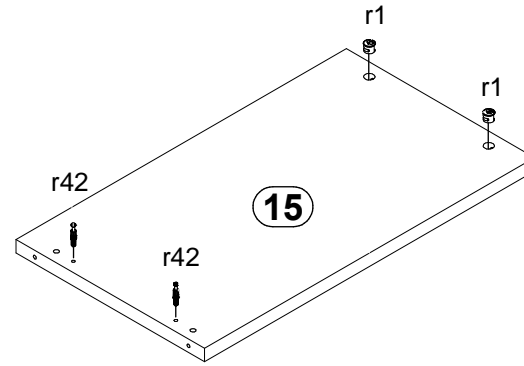
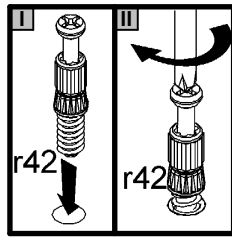


A	B	C1	C2	C3	D
1	M249-5015	107	65	22	1/3
2	M249-5025	107	65	22	1/3
3	S510-0010	486	596	16	3/3
4	S510-0011	596	176	16	3/3
5	S510-0012	530	596	16	3/3
6	S510-0013	596	176	16	3/3
7	S510-1015	1133	373	16	2/3
8	S510-1016	1133	373	16	1/3
9	S510-1017	1133,	353	16	1/3
10	S510-1020	168	353	16	1/3
11	S510-1021	168	353	16	1/3
12	S510-2007	1340	400	32	2/3
13	S510-2008	1286,	373	18	1/3
14	S510-3011	612	150	6,	2/3
15	S510-3013	619	353	22,	3/3
16	S510-3014	619	353	22,	3/3
17	S510-3015	618	353	16	2/3
18	S510-4003	619,	80	22	3/3
19	S510-5019	1258	65	22	1/3
20	S510-5020	1258	43	22	1/3
21	S510-5021	1258	43	22	1/3
22	S510-5031	1258	65	22	1/3
23	S510-5032	1258	65	22	1/3
24	S510-5505	315	511	3	2/3
25	S510-9005	416	632	2,5	3/3
26	S510-9006	727	632	2,5	3/3
27	WSP-9316	563	308	2,5	2/3
28	ZQ6-5108	552	97	15	3/3
29	ZQ6-517	300	110	12	2/3
30	ZQ6-518	300	110	12	2/3

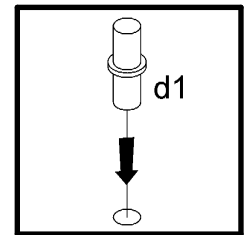
8x a202	8x b89	6x c453	8x d33	13x e1 Ø7x50 mm	13x n108 20x13x3,5	17x p55 Ø2,9x16 mm	12x j30 M4x22 mm	5x k1	14x l2	16x e3 Ø6x13 mm	12x e22 Ø7x28 mm	26x f1 Ø8x30 mm
4x f6 Ø8x50 mm	8x f13 Ø8x20 mm	8x f25 Ø6,5x40 mm	12x p38 Ø3,5x16 mm	16x p51 Ø3,5x15 mm	23x r1 Ø15x12 mm #16	8x r15 Ø12x10,5 mm #12	27x r42 20/11	2x w125P 300mm	2x w125L 300mm	1x z15 4 mm	1x o80/11 12W	1x o80/3
2x t25 300 mm	2x p25 Ø3,5x16 mm	2x p35 Ø3,5x10 mm	2x f35 Ø10x50 mm	2x p17 Ø5x60 mm	4x p38 Ø3,5x16 mm	2x n14/2 86x21x15/1,5						



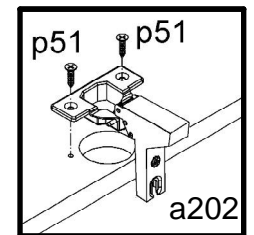
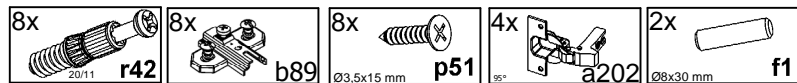
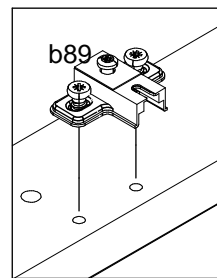
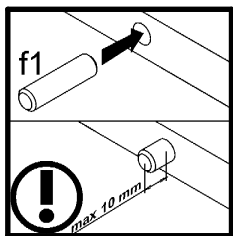
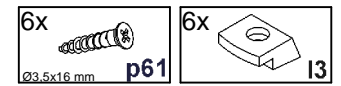
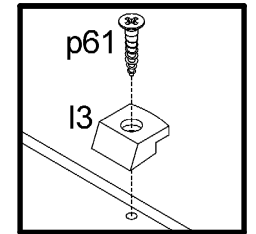
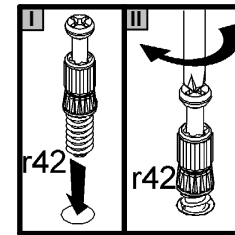
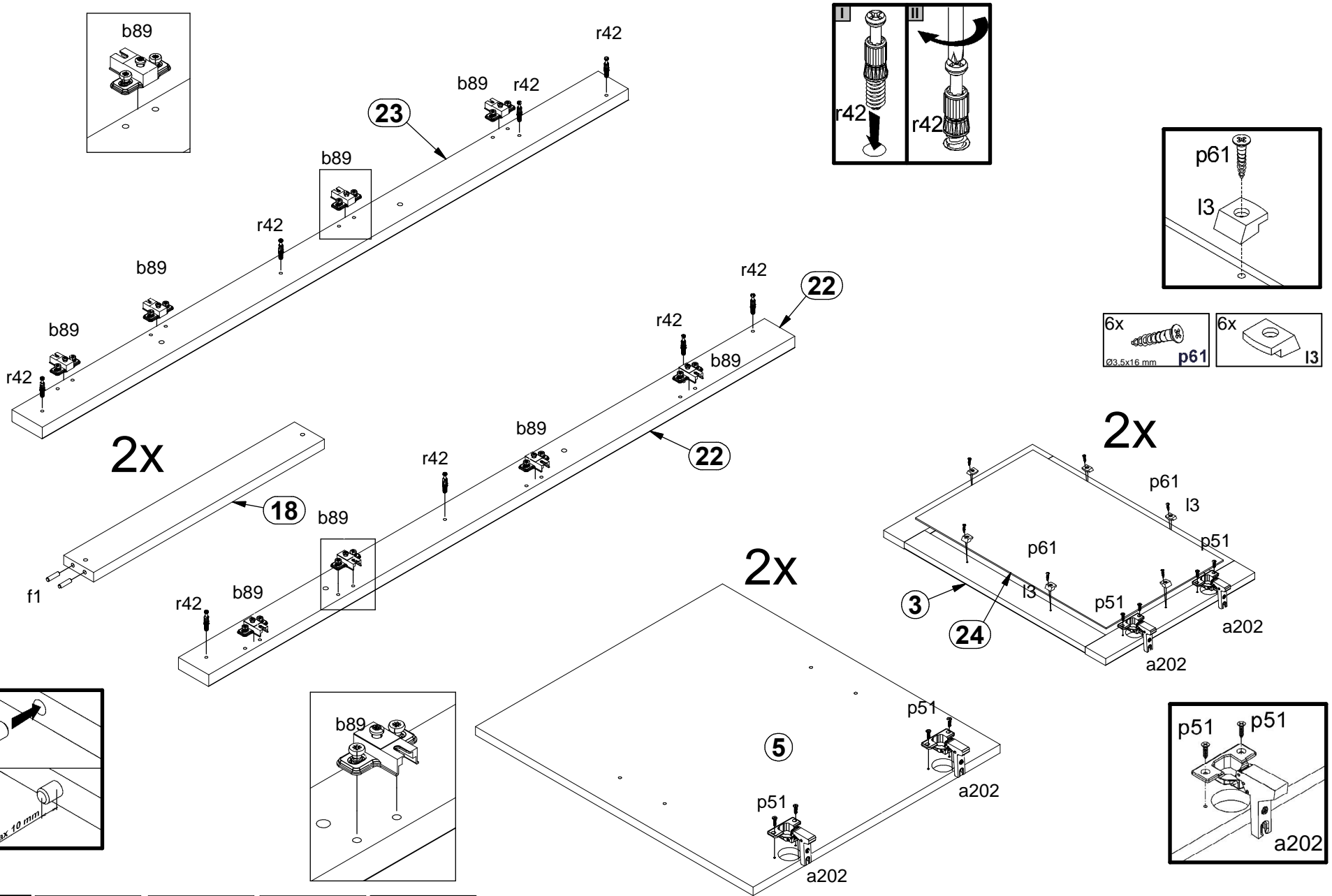
1



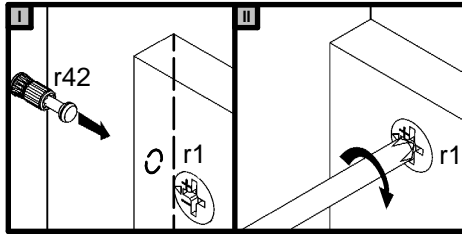
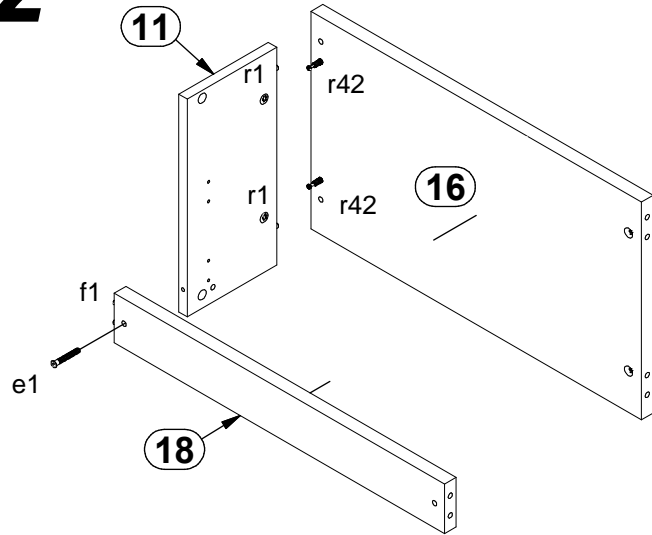
10x Ø15x12 mm #16 r1	8x Ø8x30 mm f1	4x d33
1x 300mm w125\L	8x Ø6x13 mm e3	1x 300mm w125\P
		4x r42



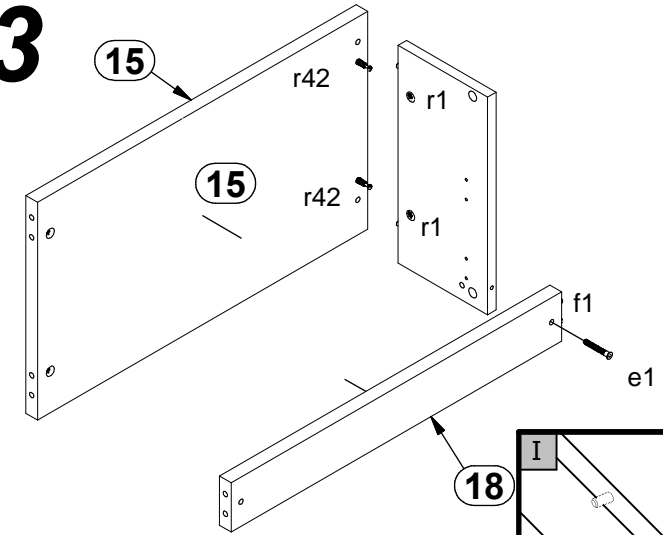
1



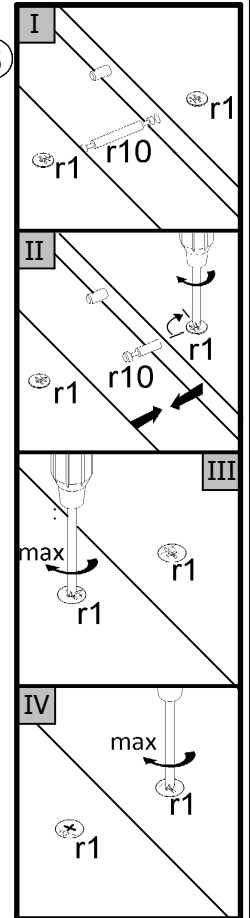
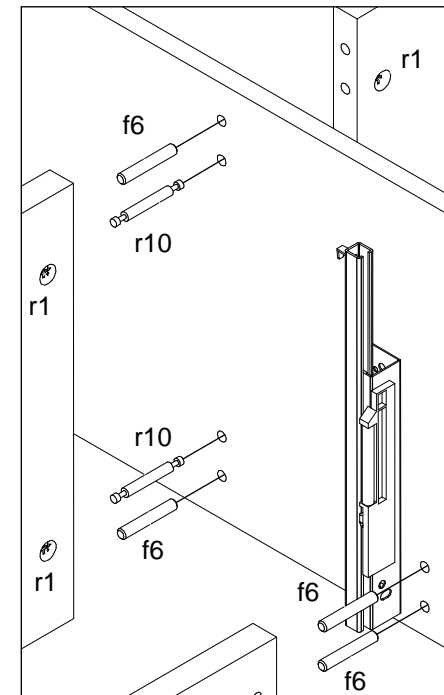
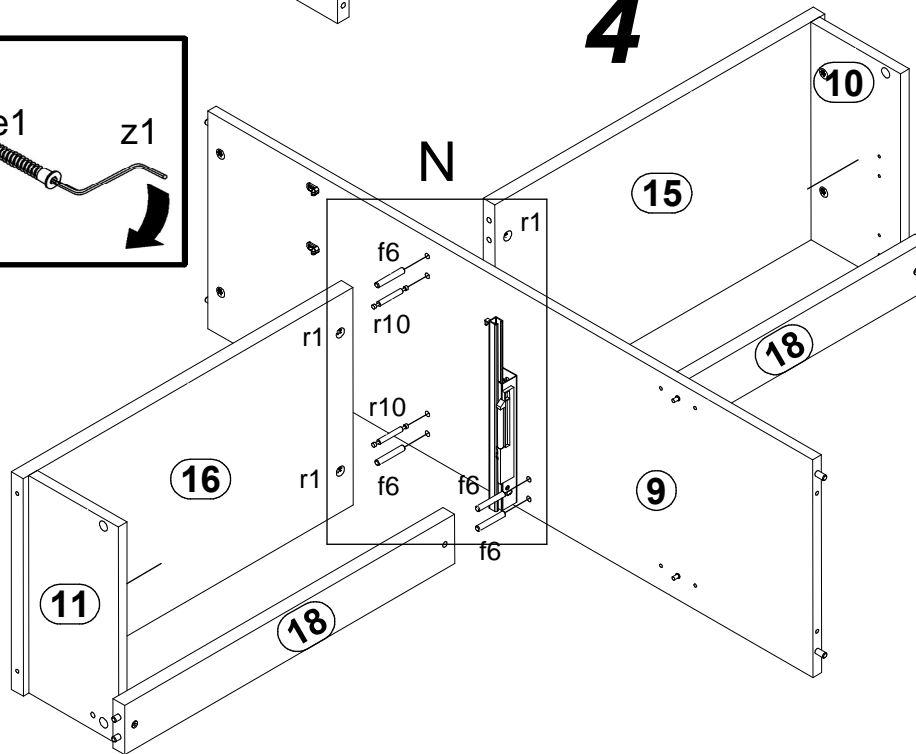
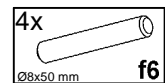
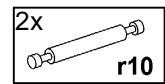
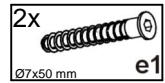
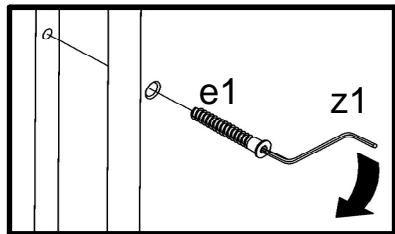
2



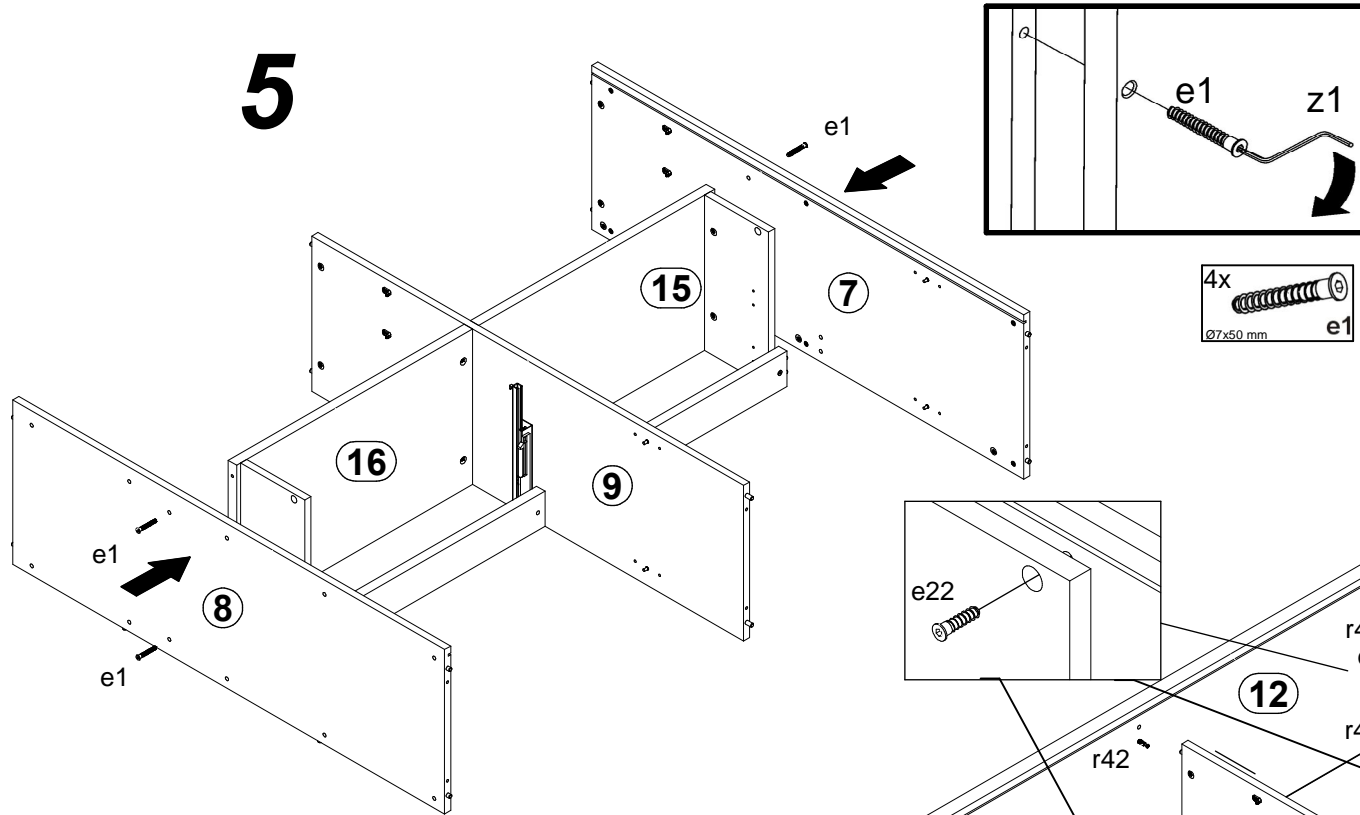
3



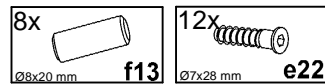
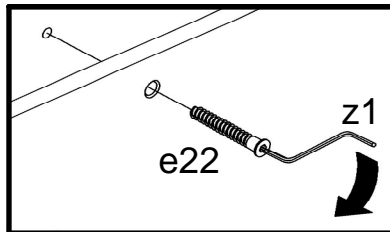
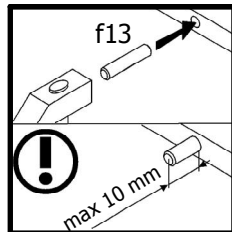
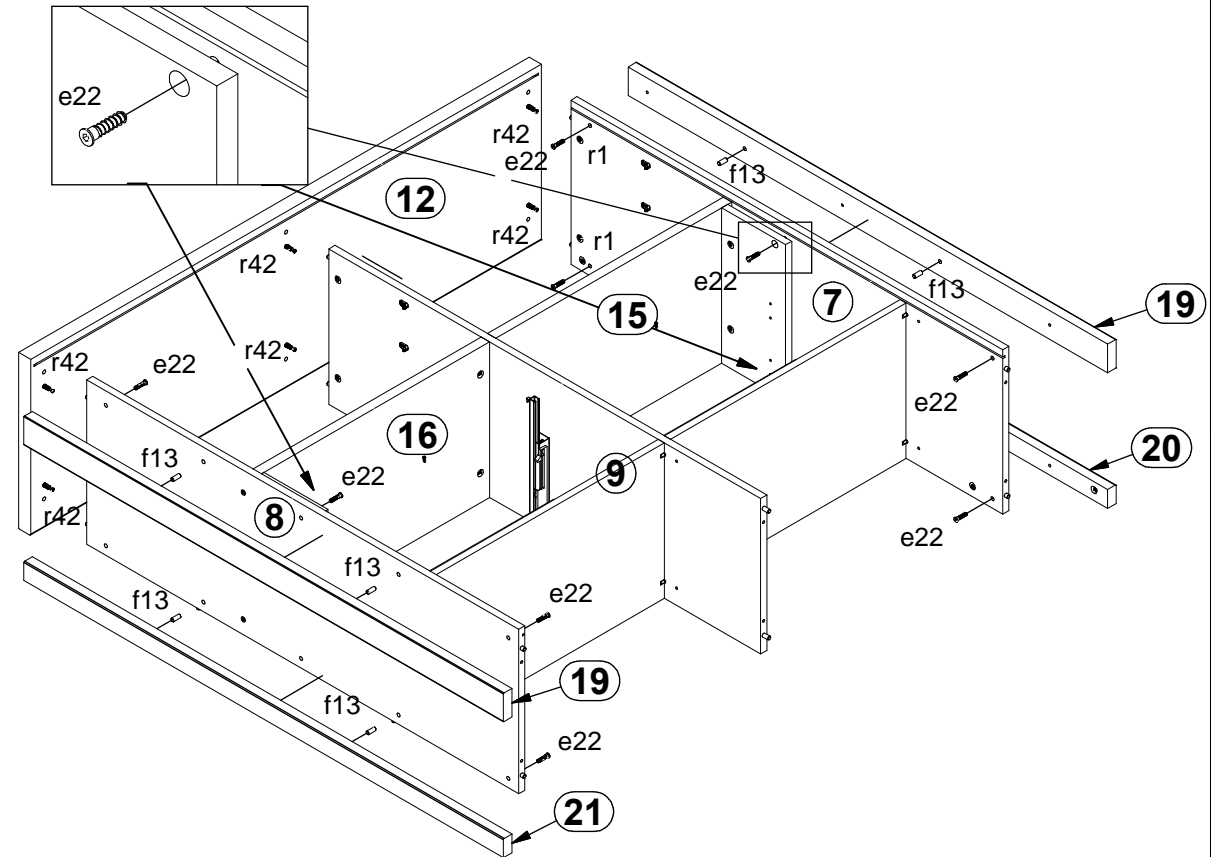
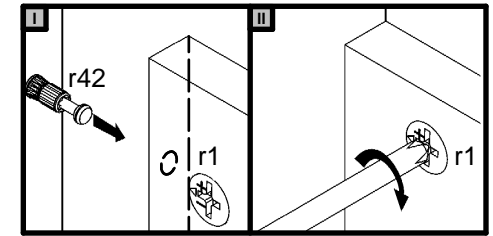
4



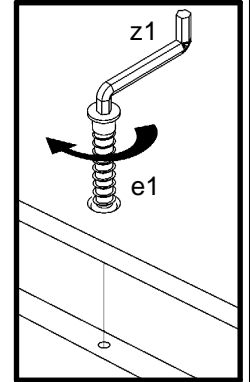
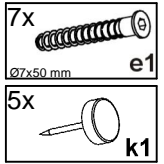
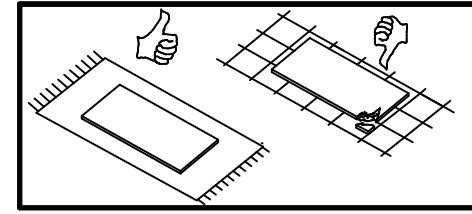
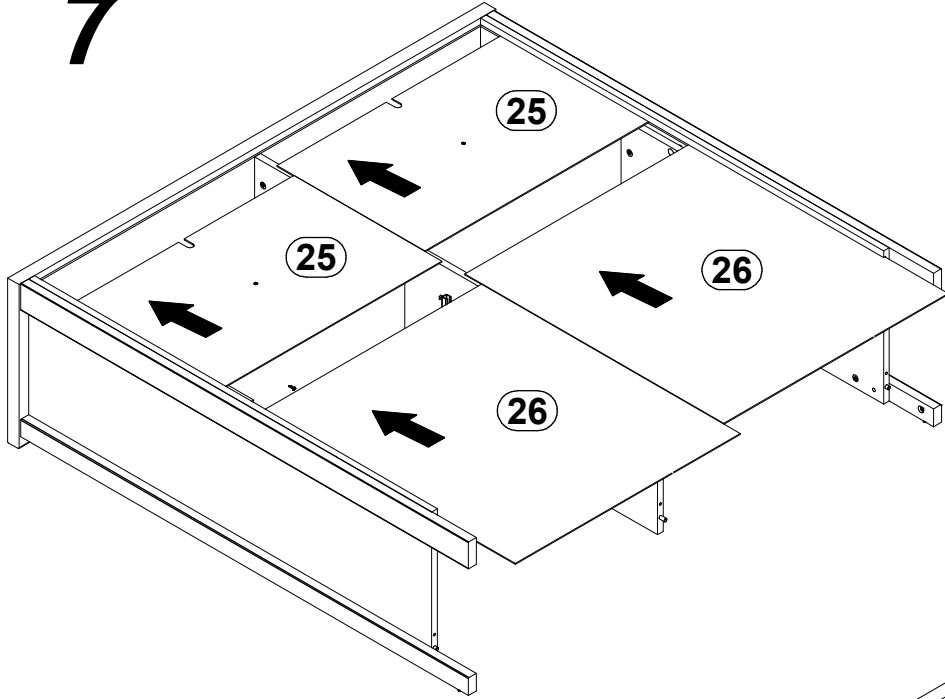
5



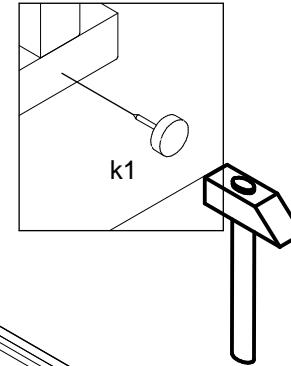
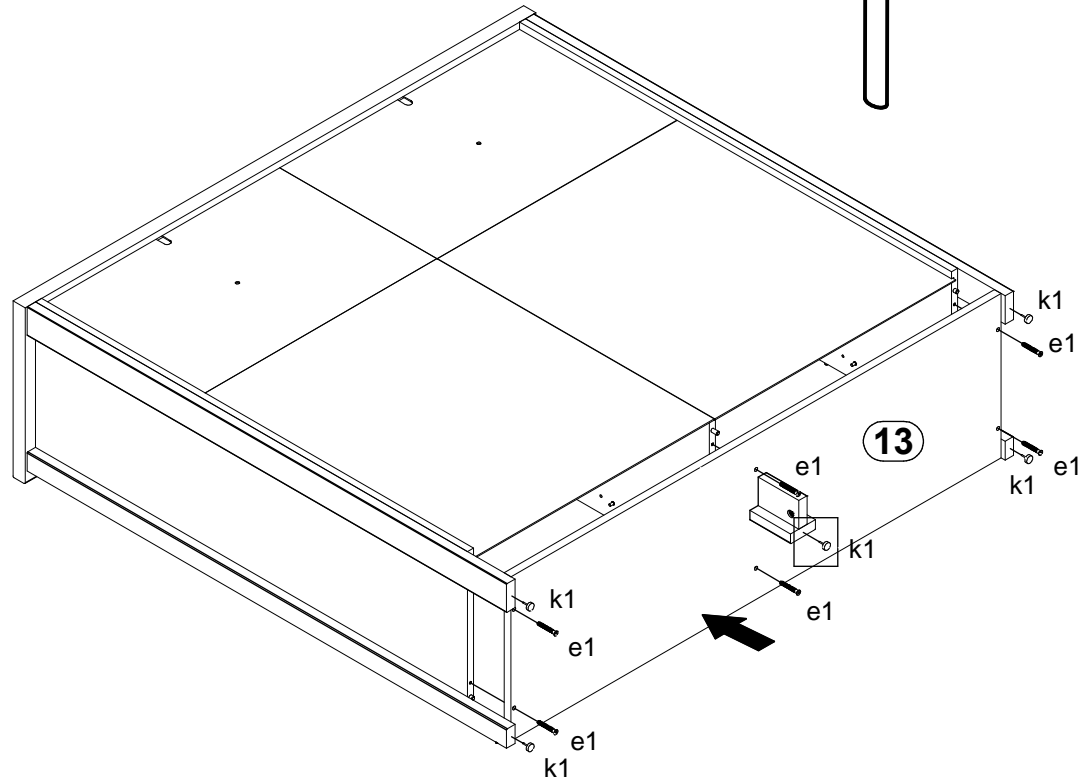
6



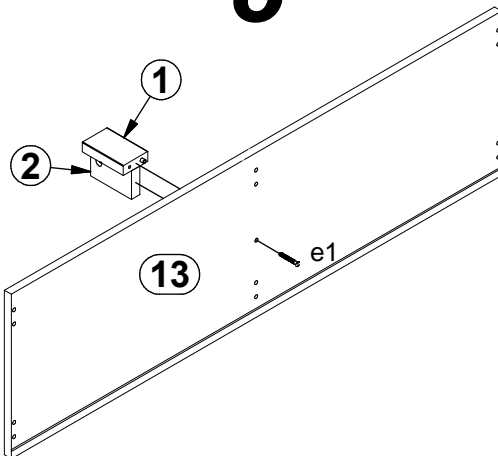
7

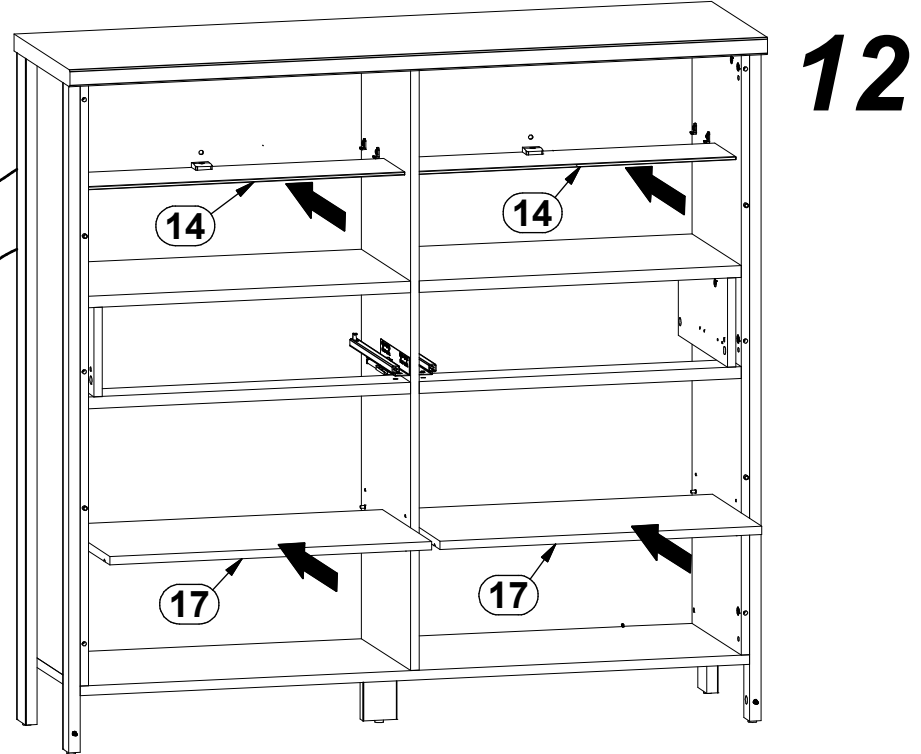
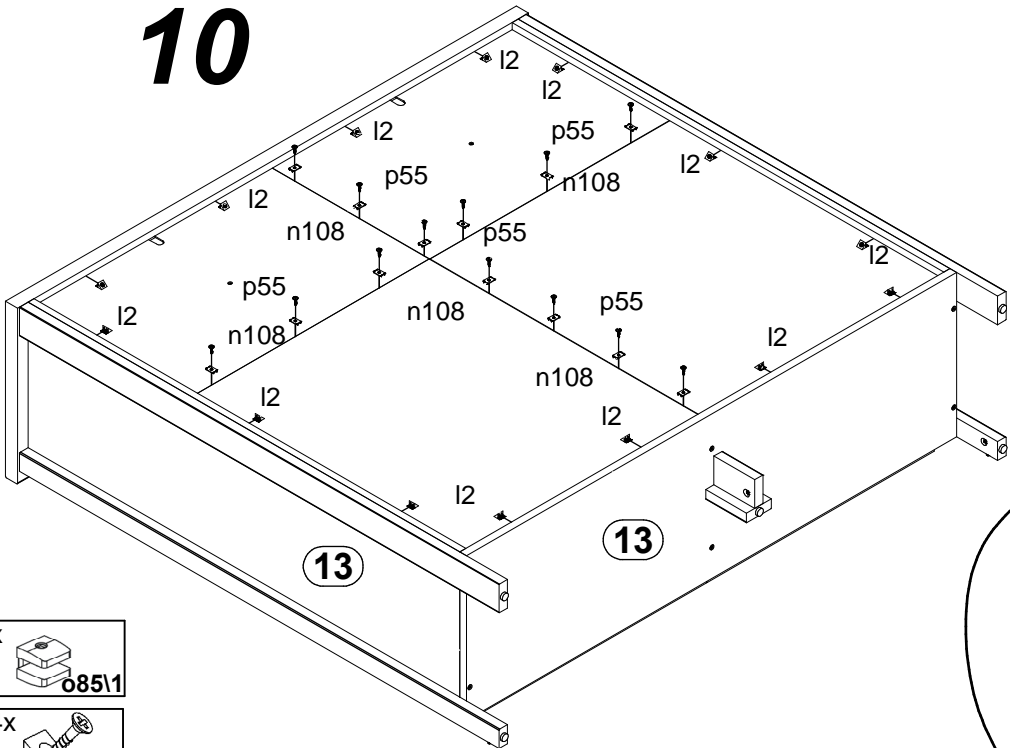
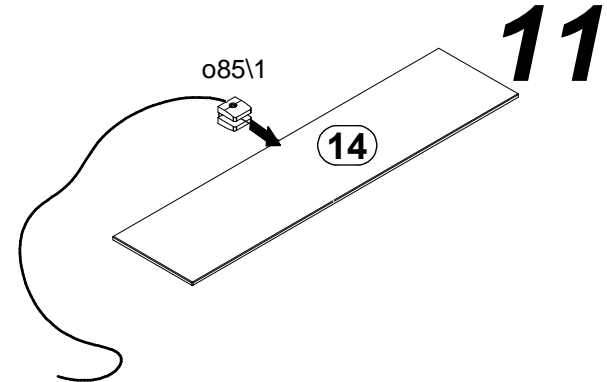
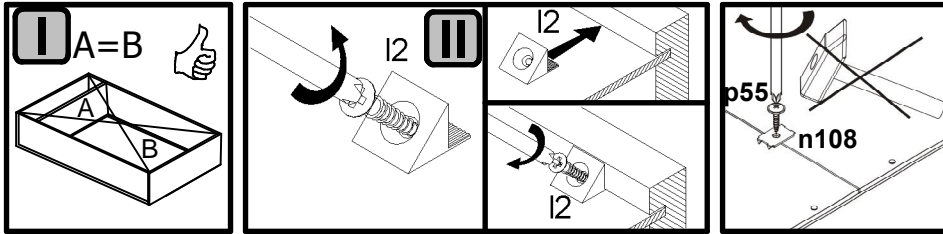






9

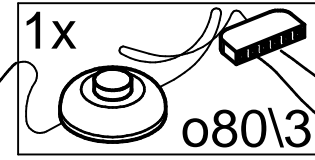
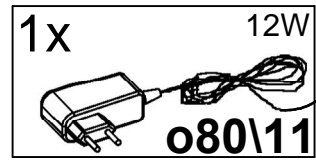


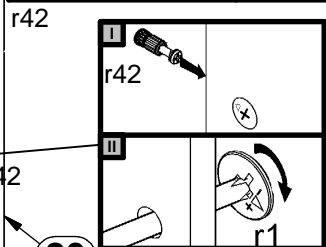
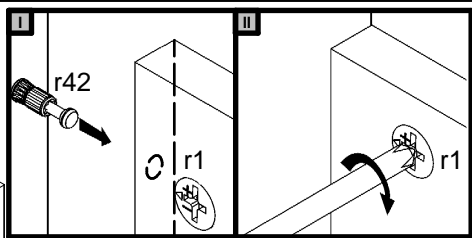
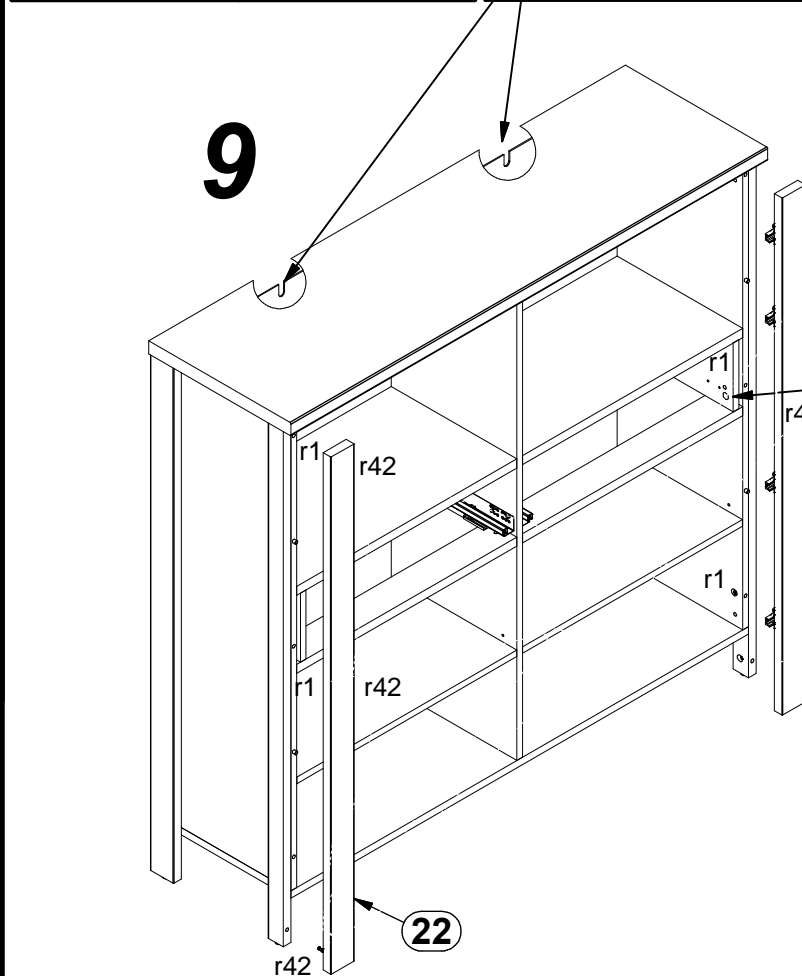
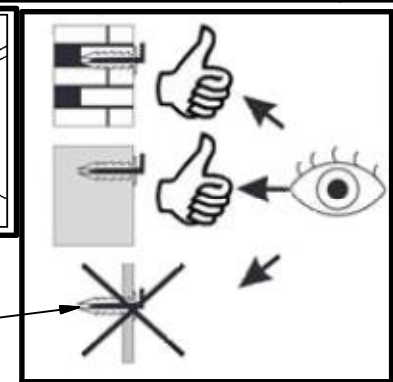
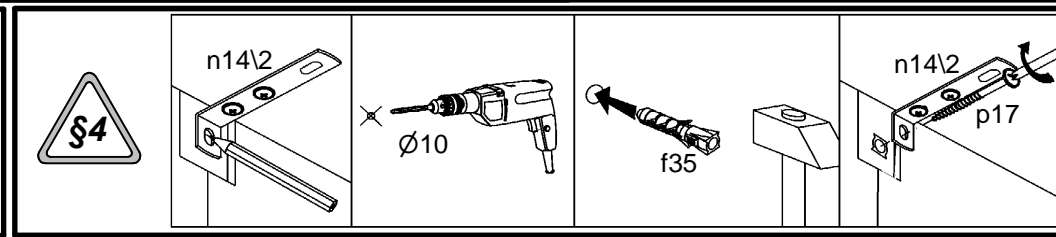
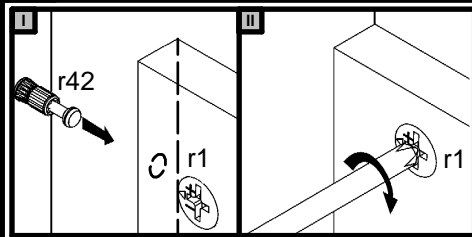
8



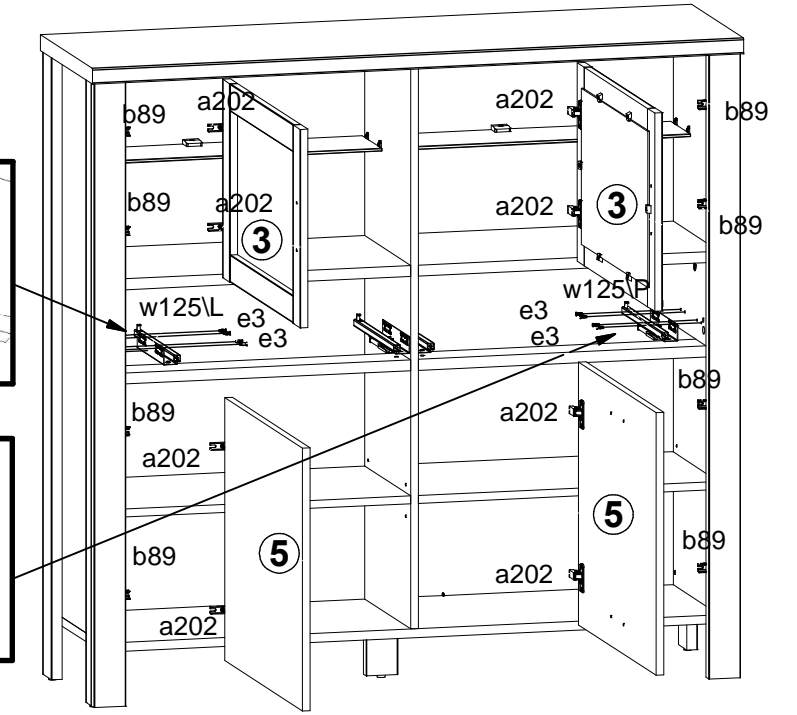
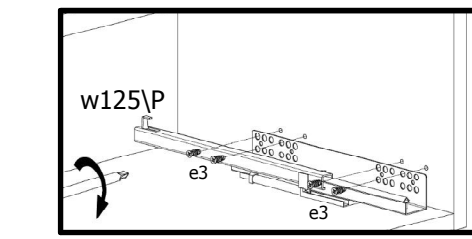
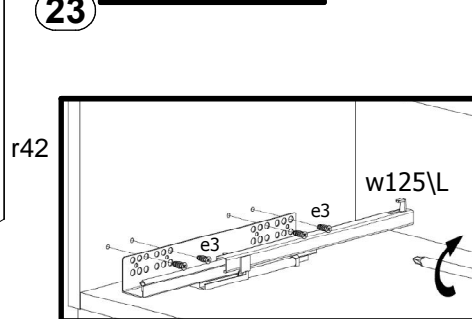
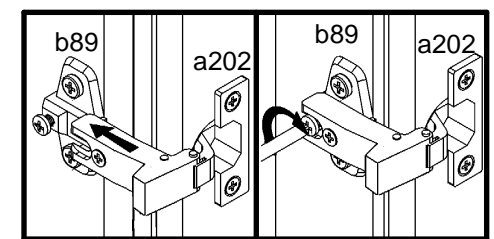


- 2x  o85\1
- 14x  I2
- 14x  n108
20x13x3,5V
- 14x  p55
Ø2,9x16 mm

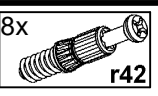
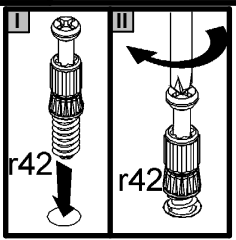




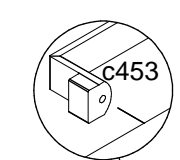
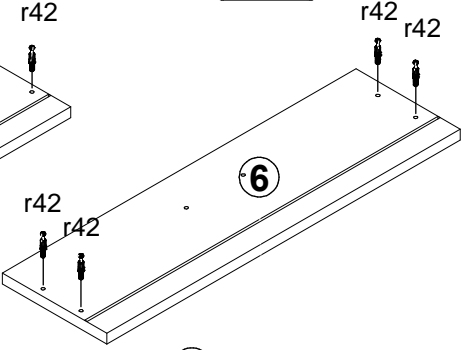
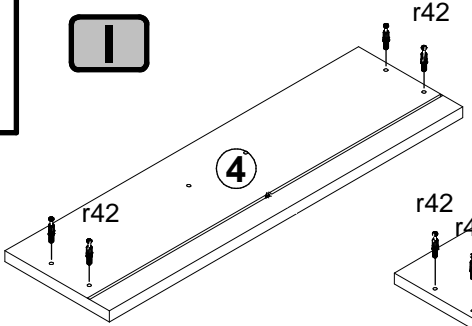
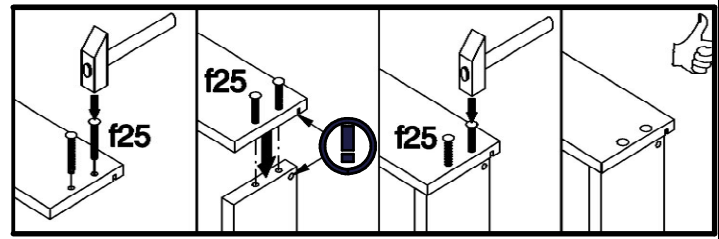
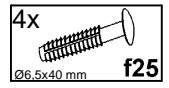
10



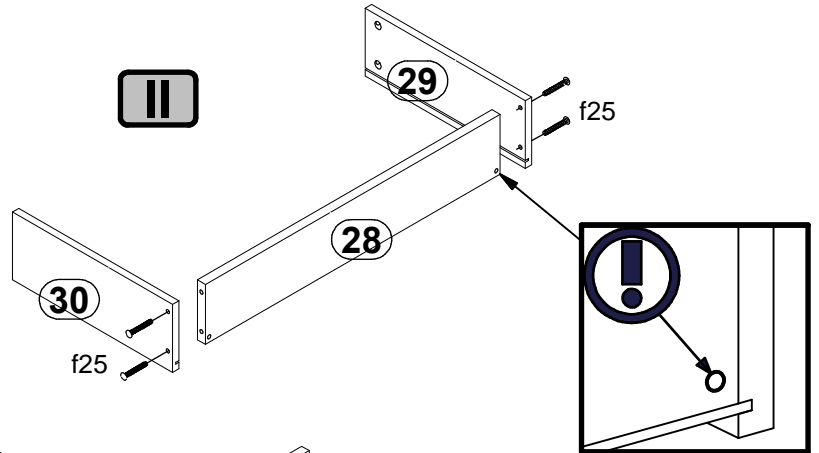
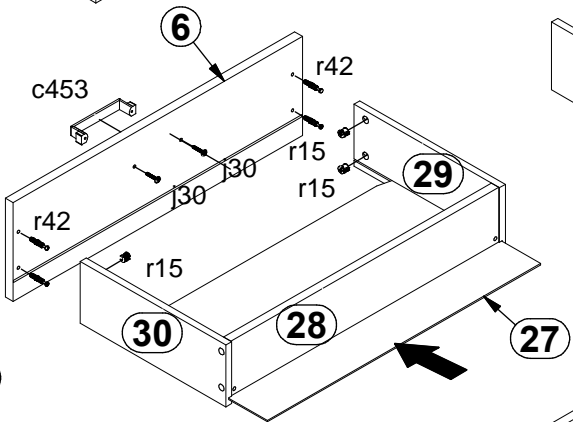
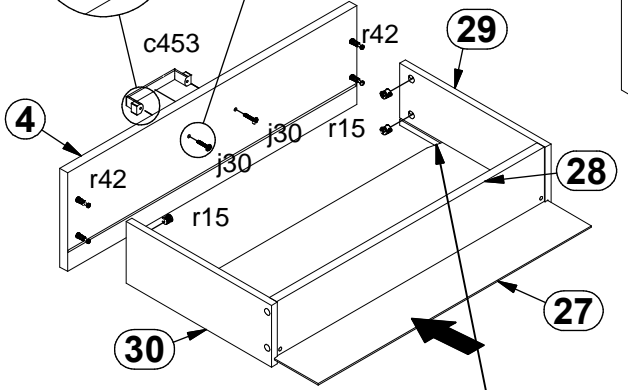
- 1x 300mm w125\L
- 8x Ø6x13 mm e3
- 1x 300mm w125\P
- 2x 10x50 mm f35
- 2x Ø5x60 mm p17
- 4x Ø3,5x16 mm p38
- 2x 88x21x15,5 n142



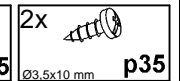
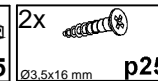
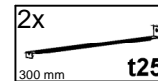
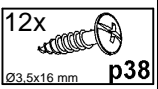
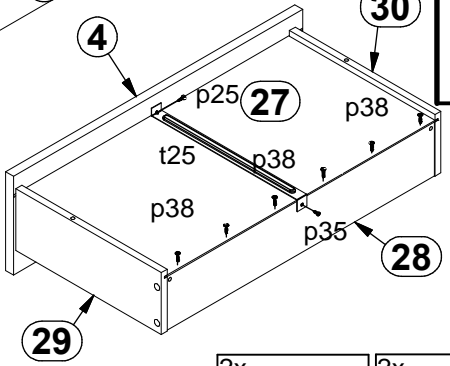
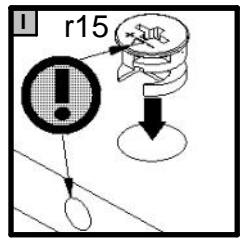
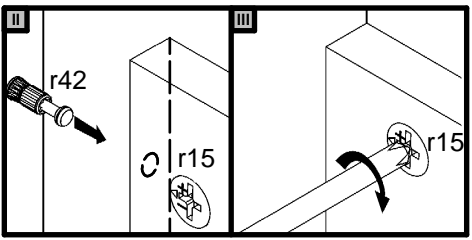
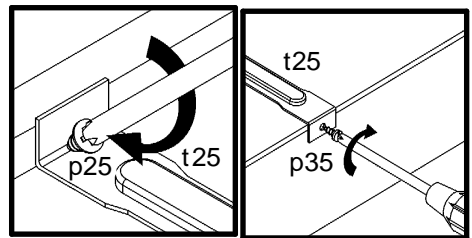
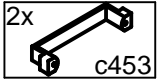
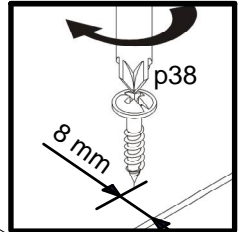
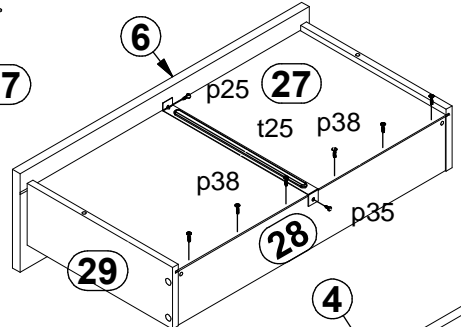
11

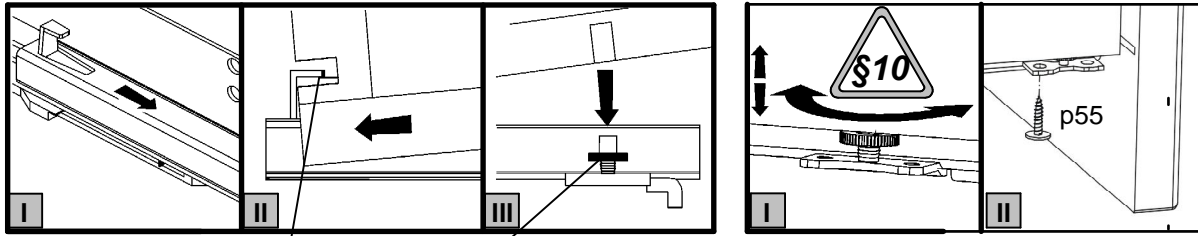


III



IV





12

