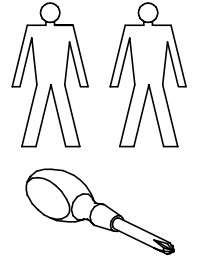
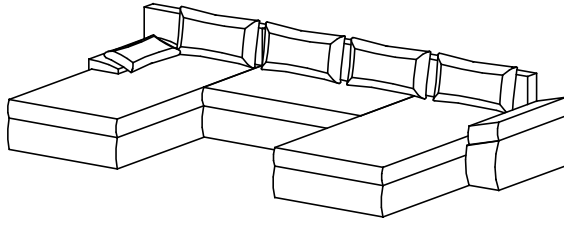
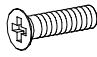
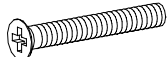
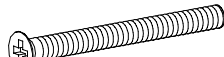



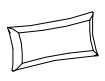
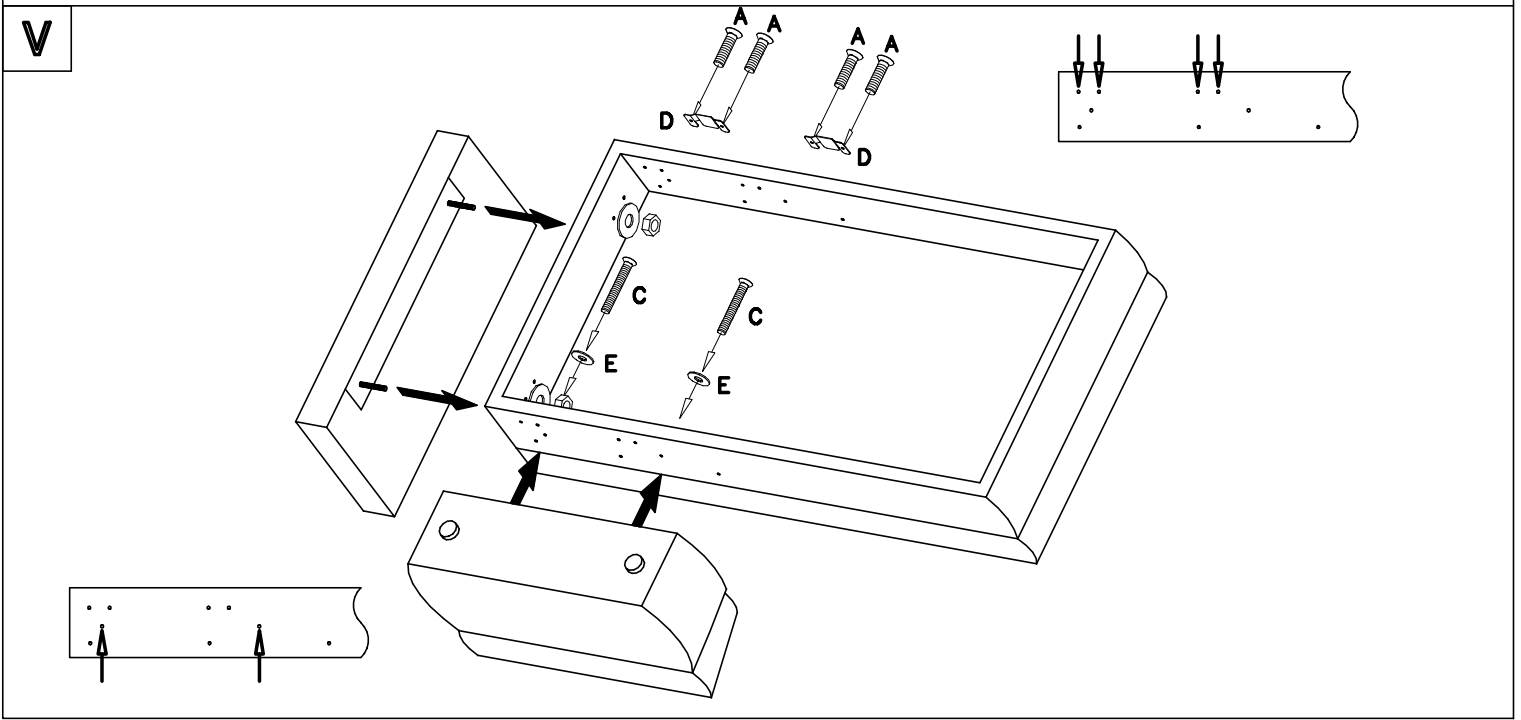
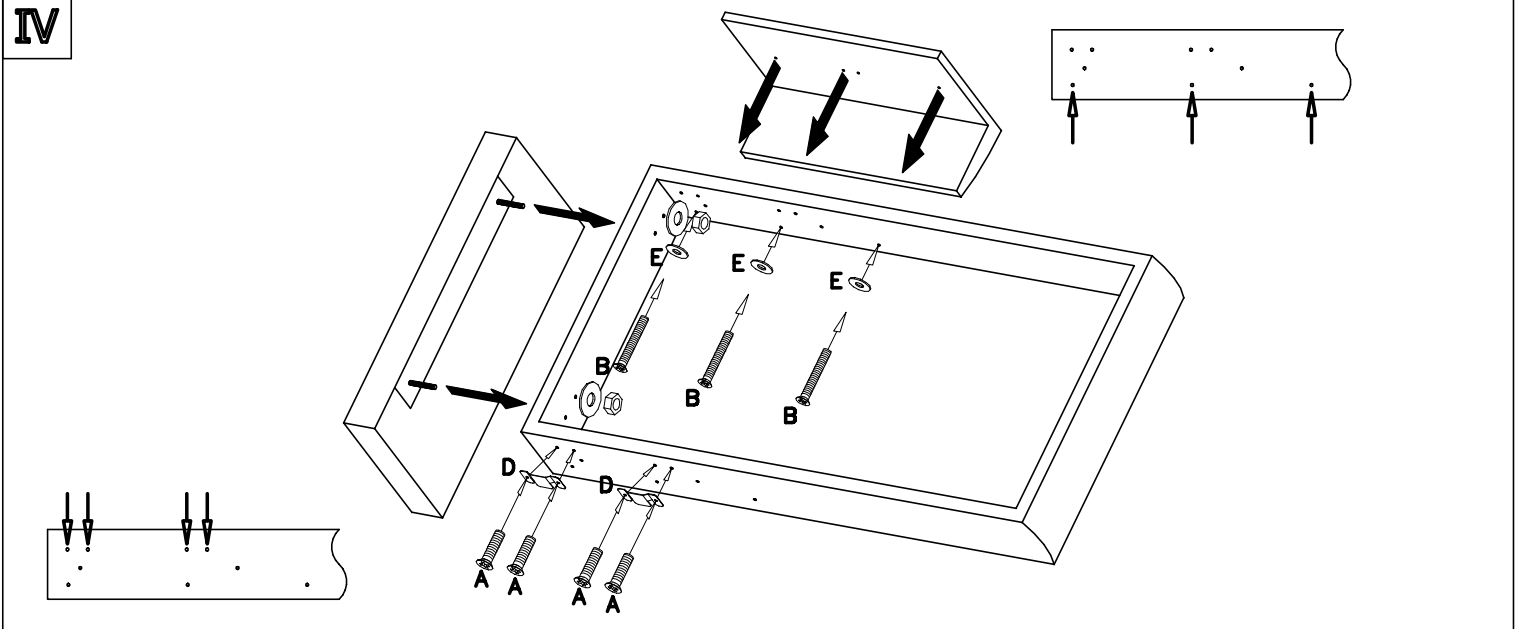
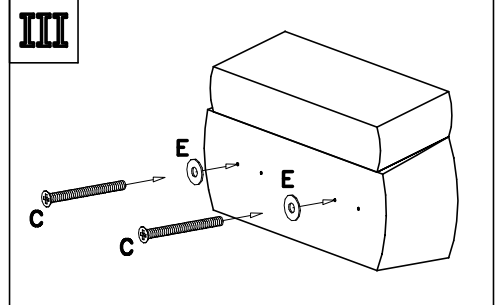
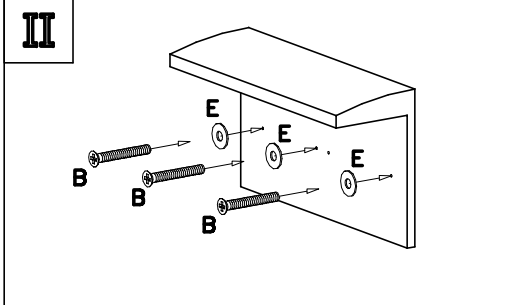
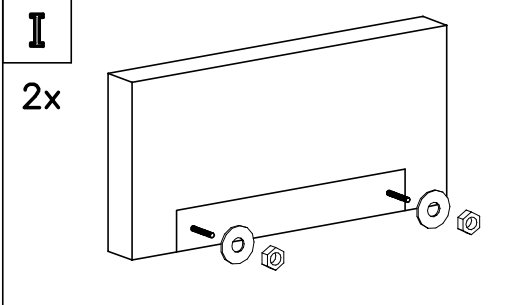


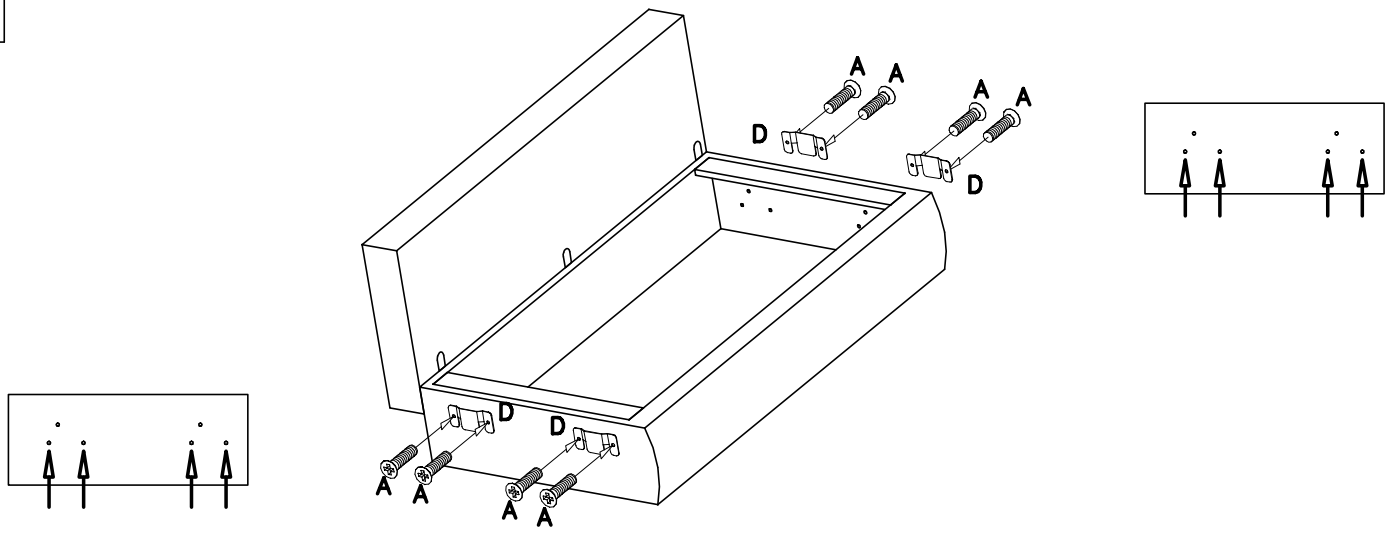
# BONO MAX U FORM



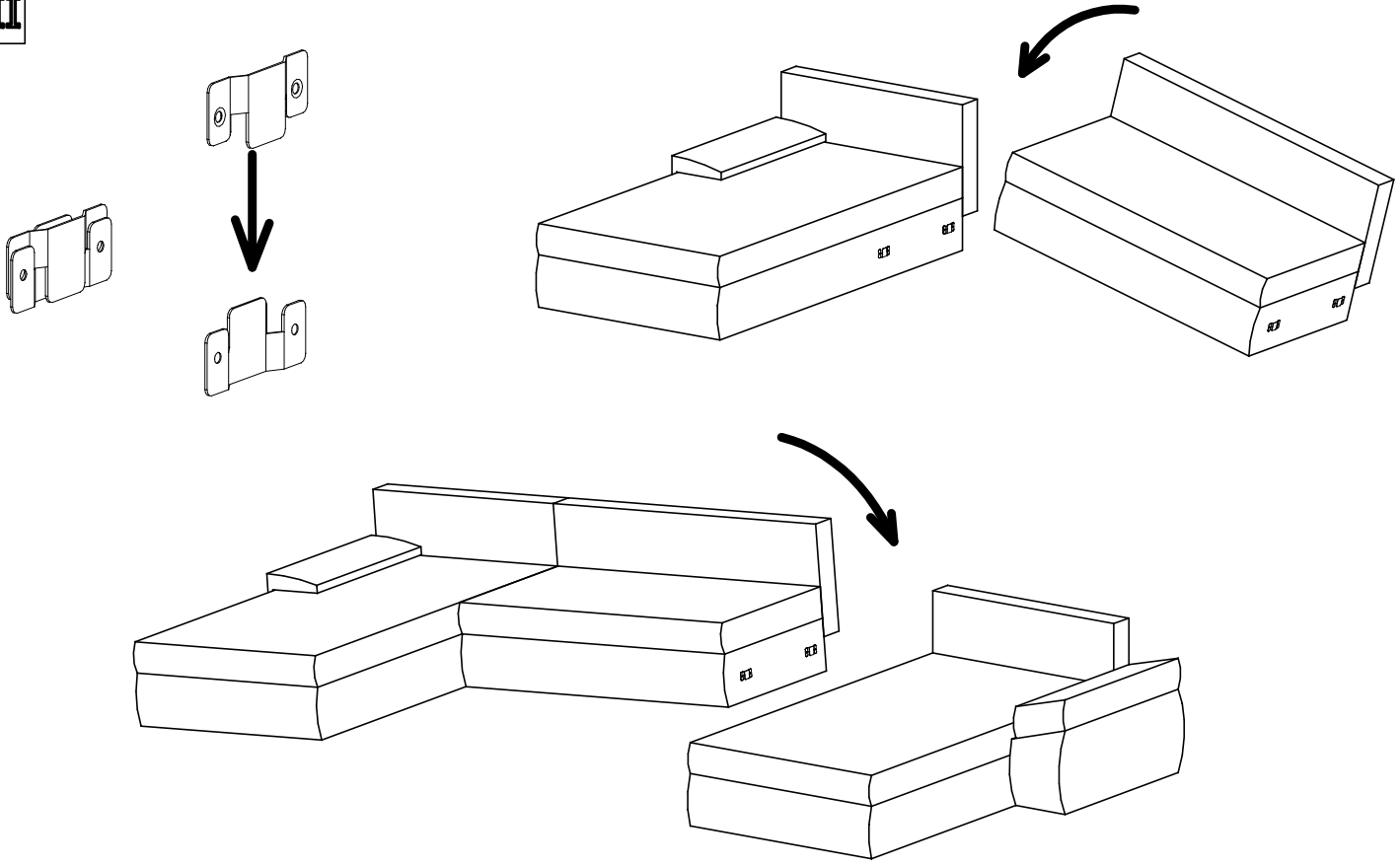
 <b>A - 16 St.</b> M6 x 20 mm	 <b>B - 3 St.</b> M8 x 40 mm	 <b>C - 2 St.</b> M8 x 60 mm	 <b>D - 8 St.</b>	 <b>E - 5 St.</b>	 <b>F - 4 St.</b>	 <b>G - 1 St.</b>
---	---	---	---	--	---	---



VI



VII



VIII

