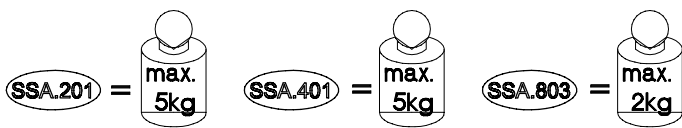
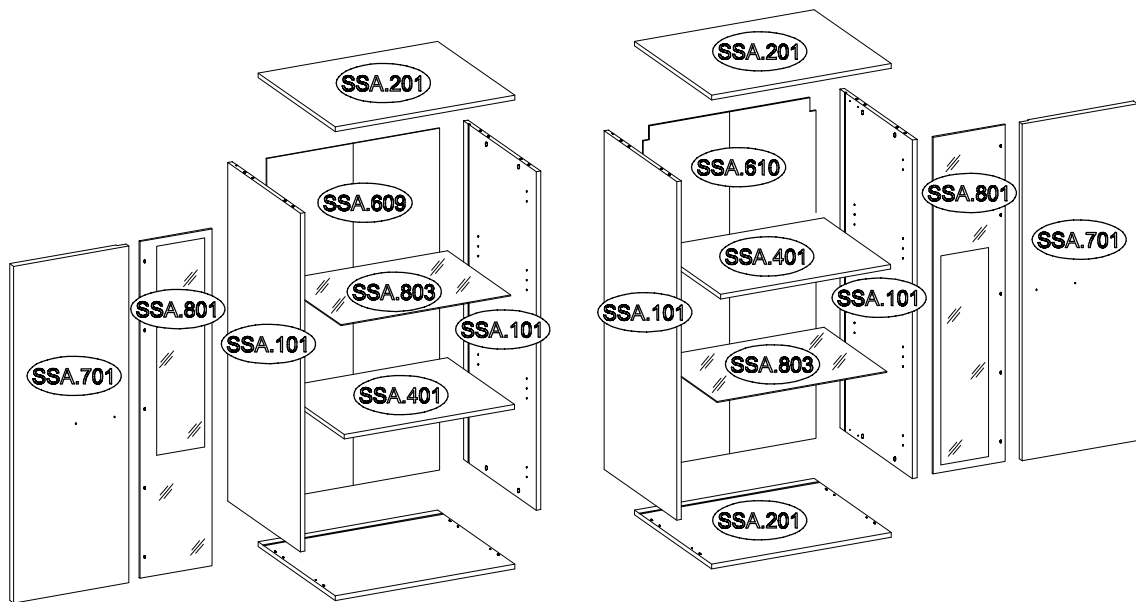
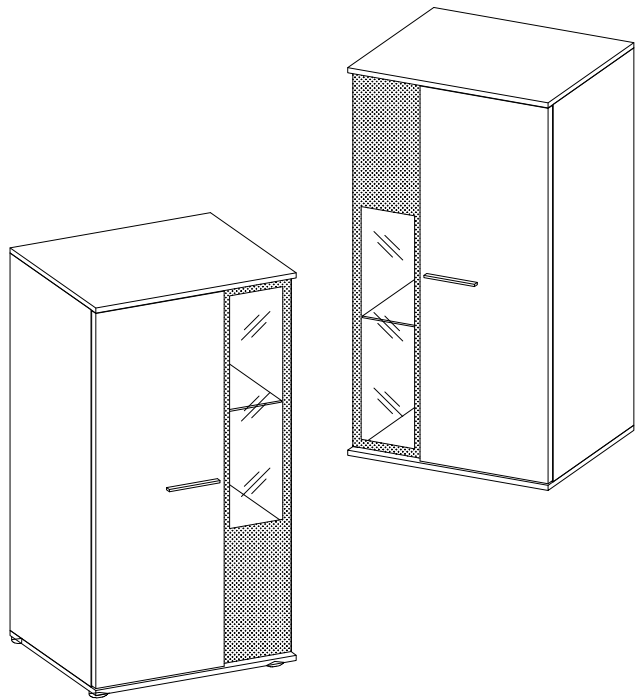


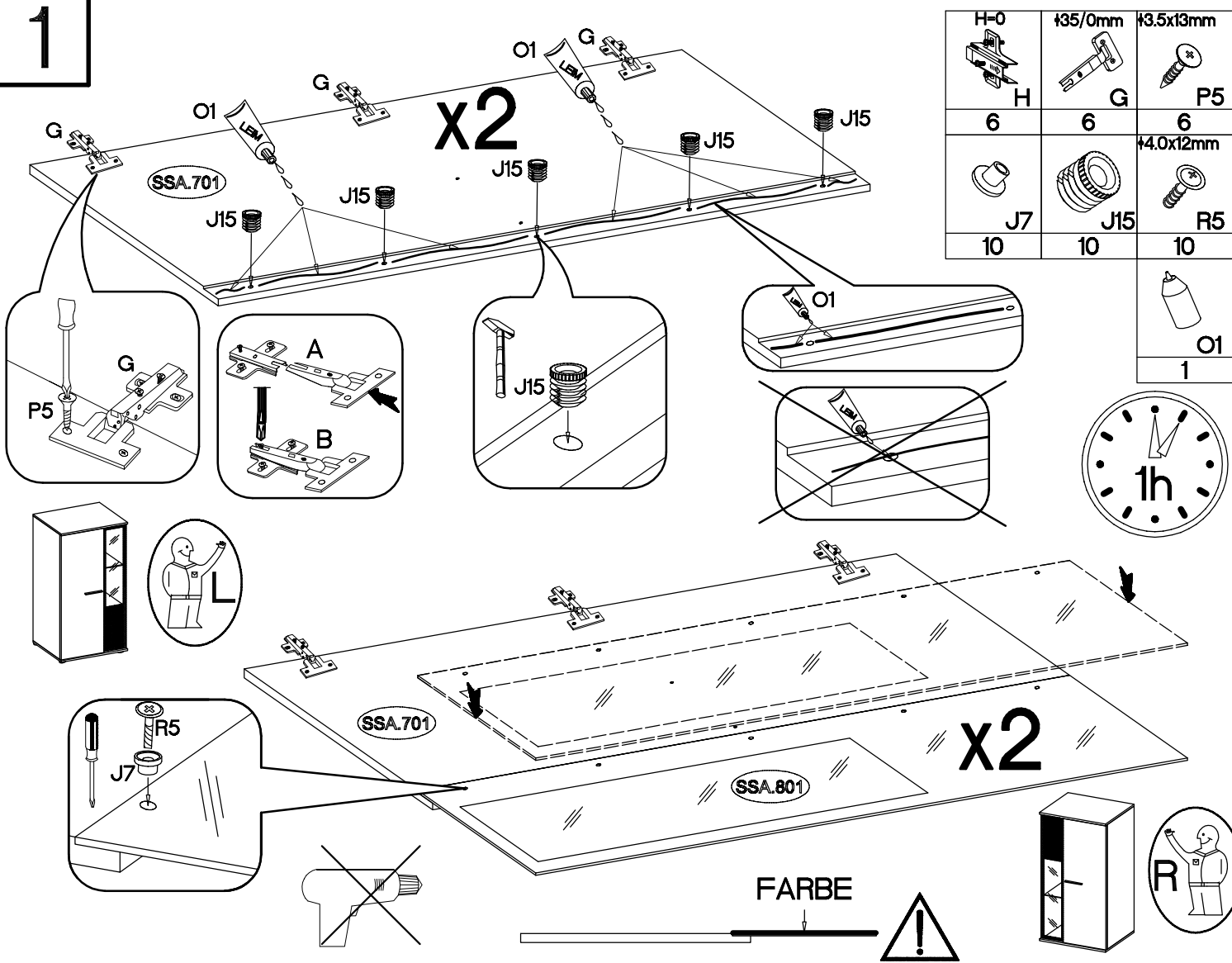
# SALSA

## Typ 031

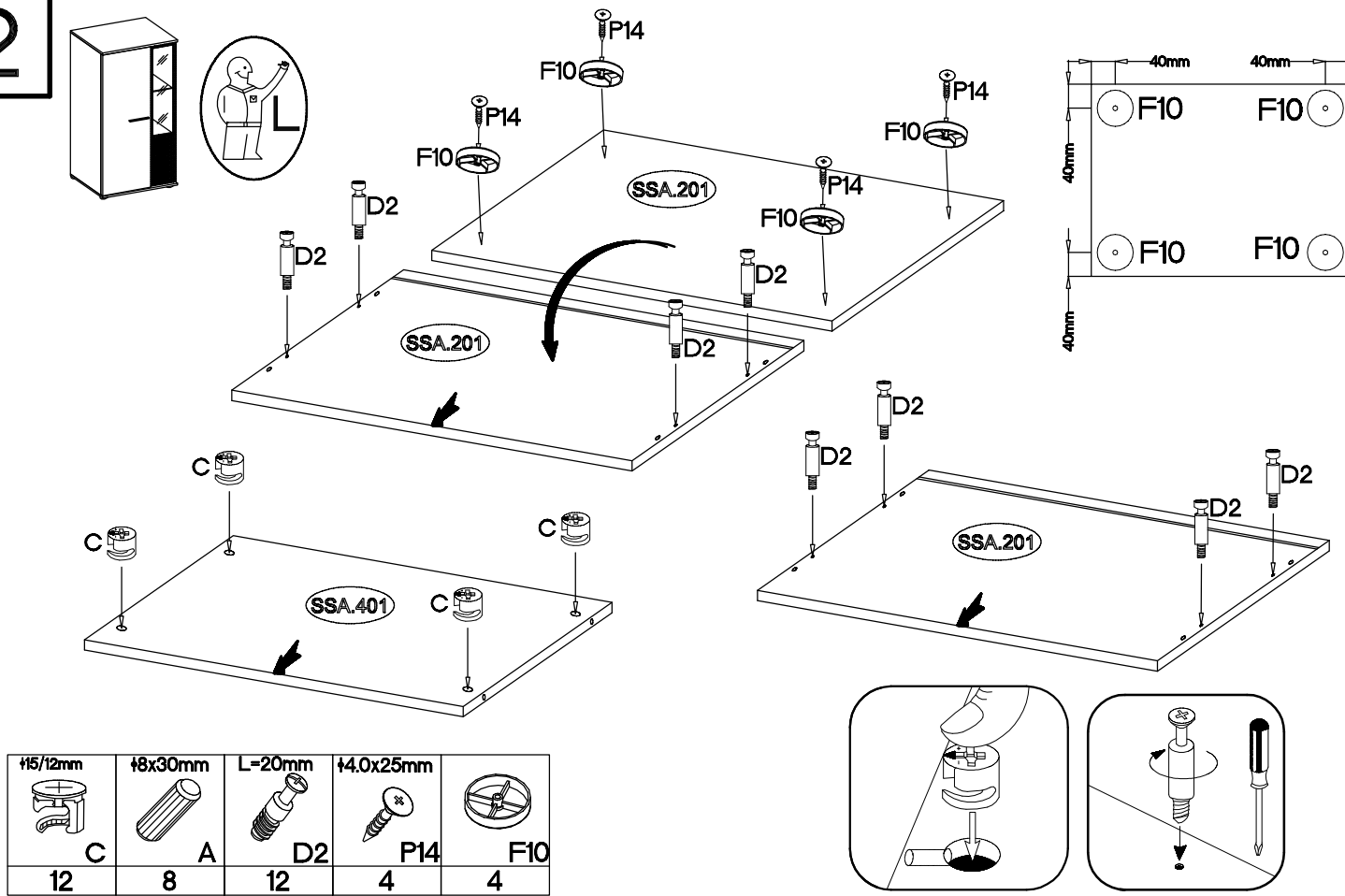


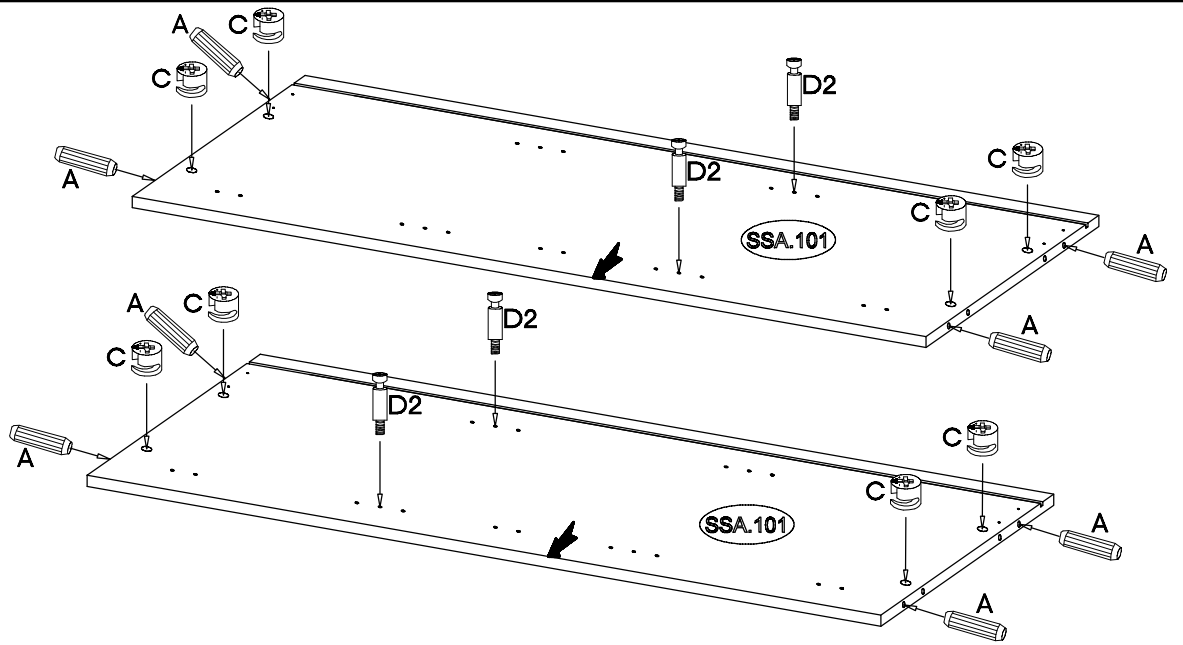
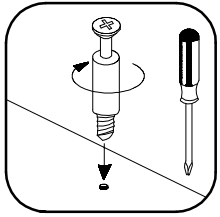
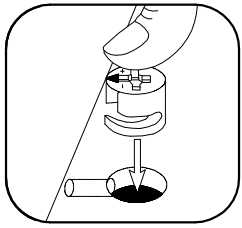
1B	L=128mm	+4.0x30mm		2B	H=0	+35/0mm	+3.5x13mm	J5			
			S11		R2					H	G
	2	4			6	6	12	4			
3B	+15/12mm	+8x30mm	L=20mm	+4.0x25mm				+4.0x12mm	0,05		
					F10	J7	J15	R5	O11	L	
	24	16	24	4	4	10	10	10	1	12	
+3.0x20mm				+5/16mm		+4.0x30mm	+3.5x13mm		+10x50mm	+5.0x60mm	
	P7	L2	E	J12	K	P8	P5	L9	O7	P12	K16
	8	8	24	8	2	4	1	1	5	4	2

1

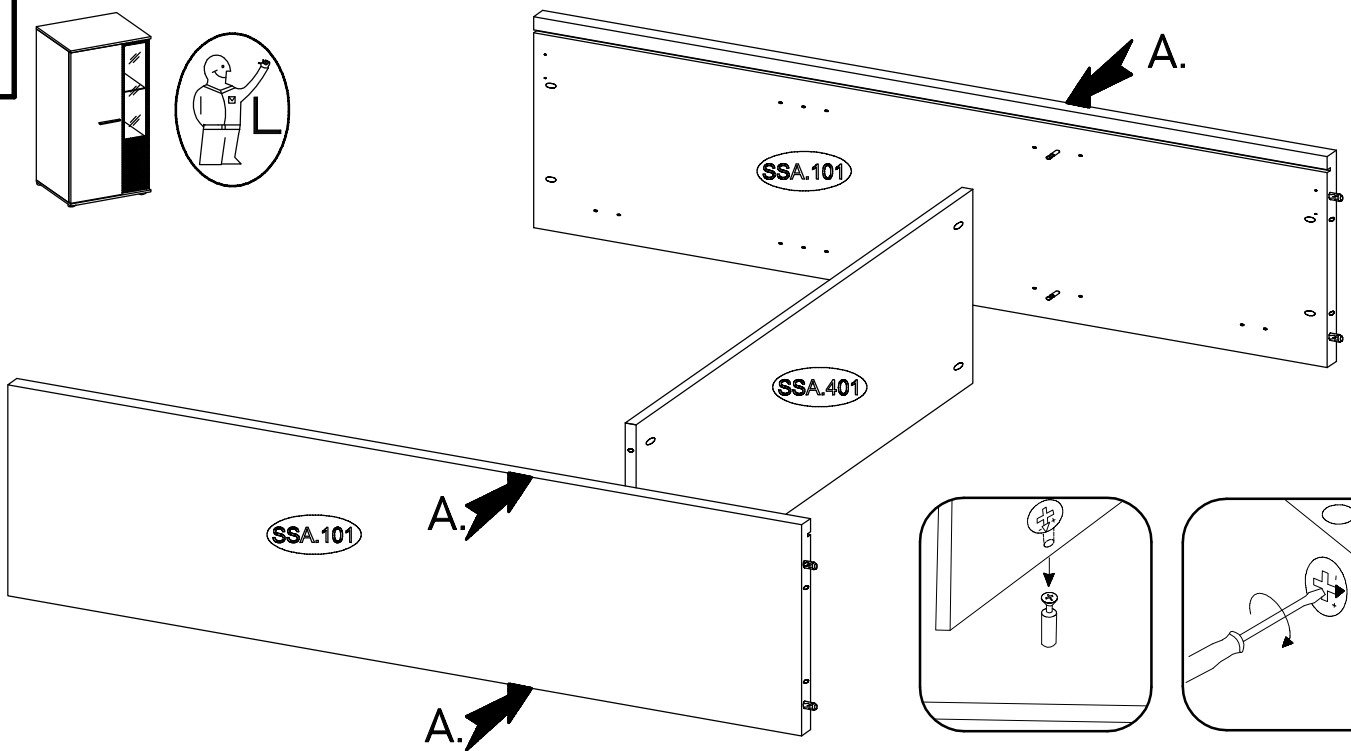
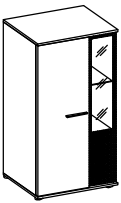


2

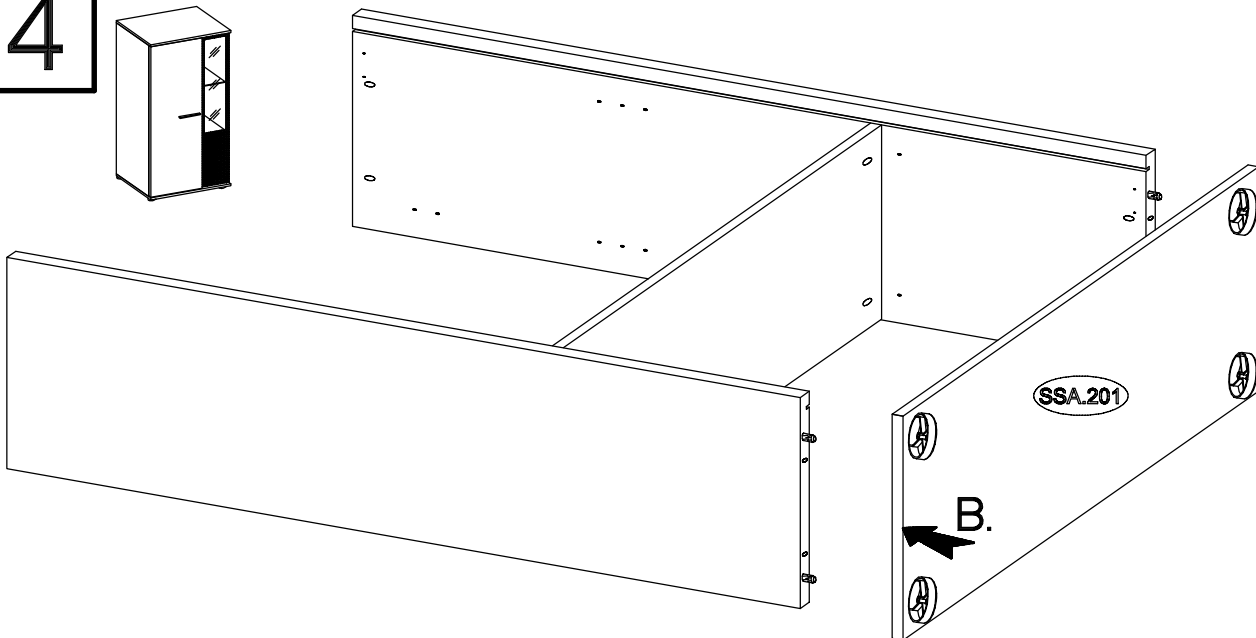
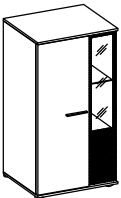




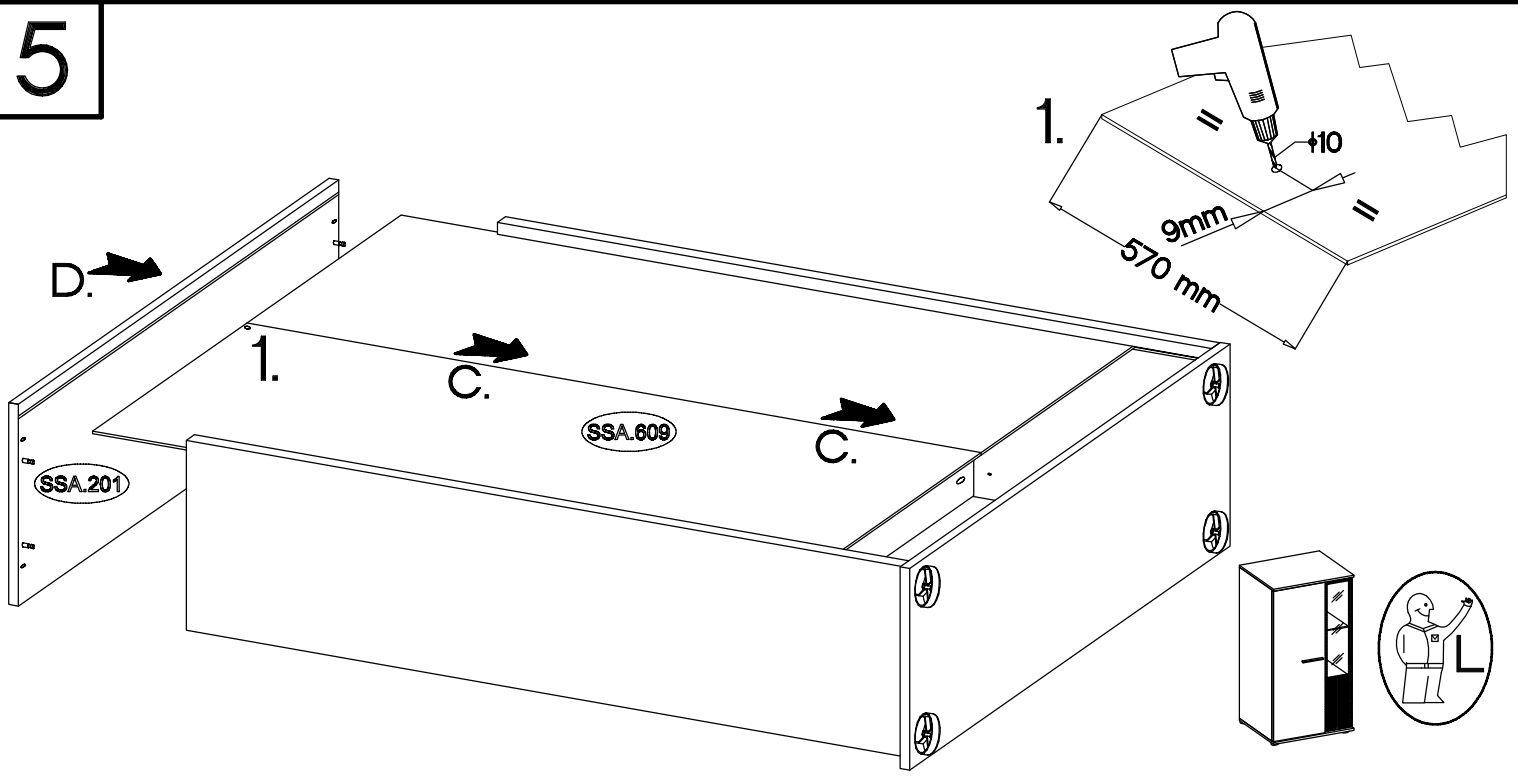
3



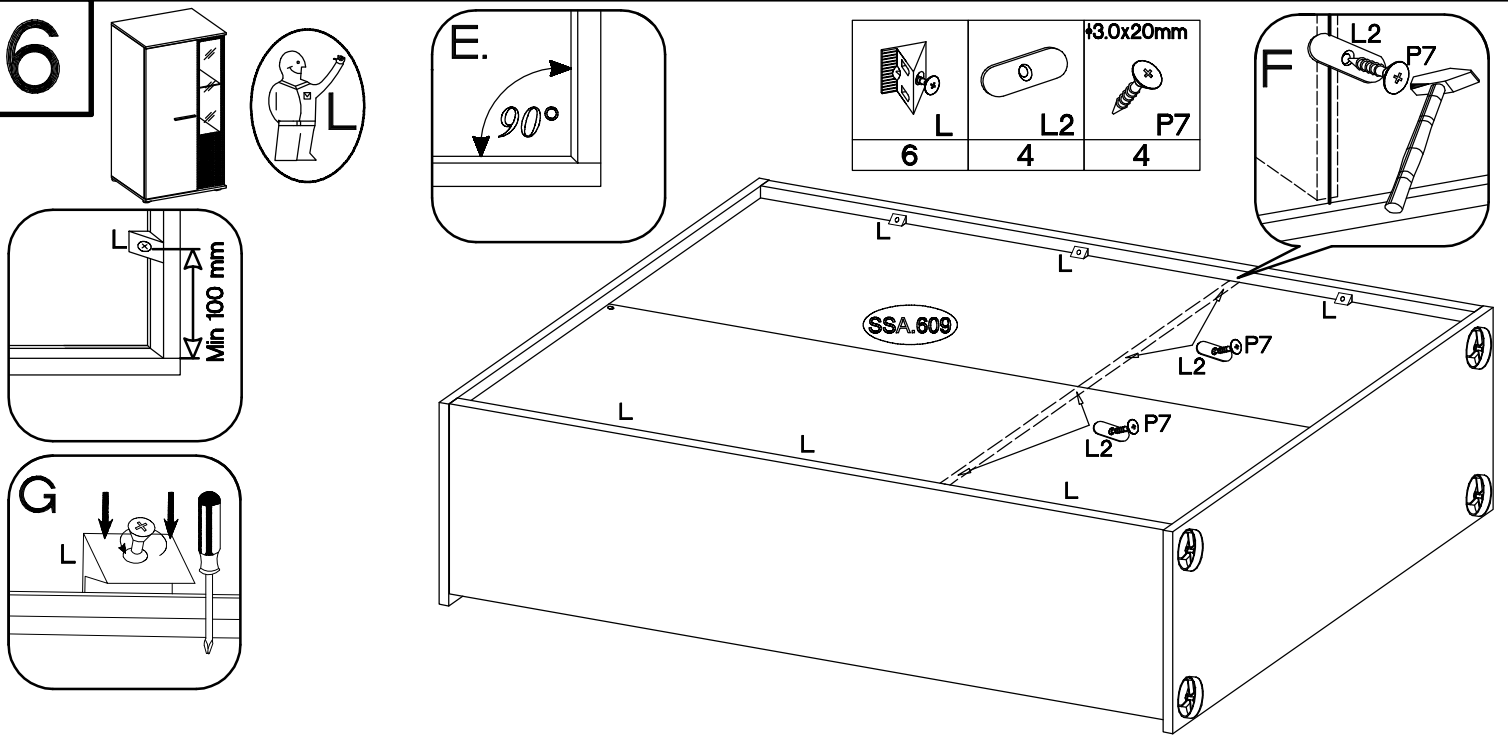
4



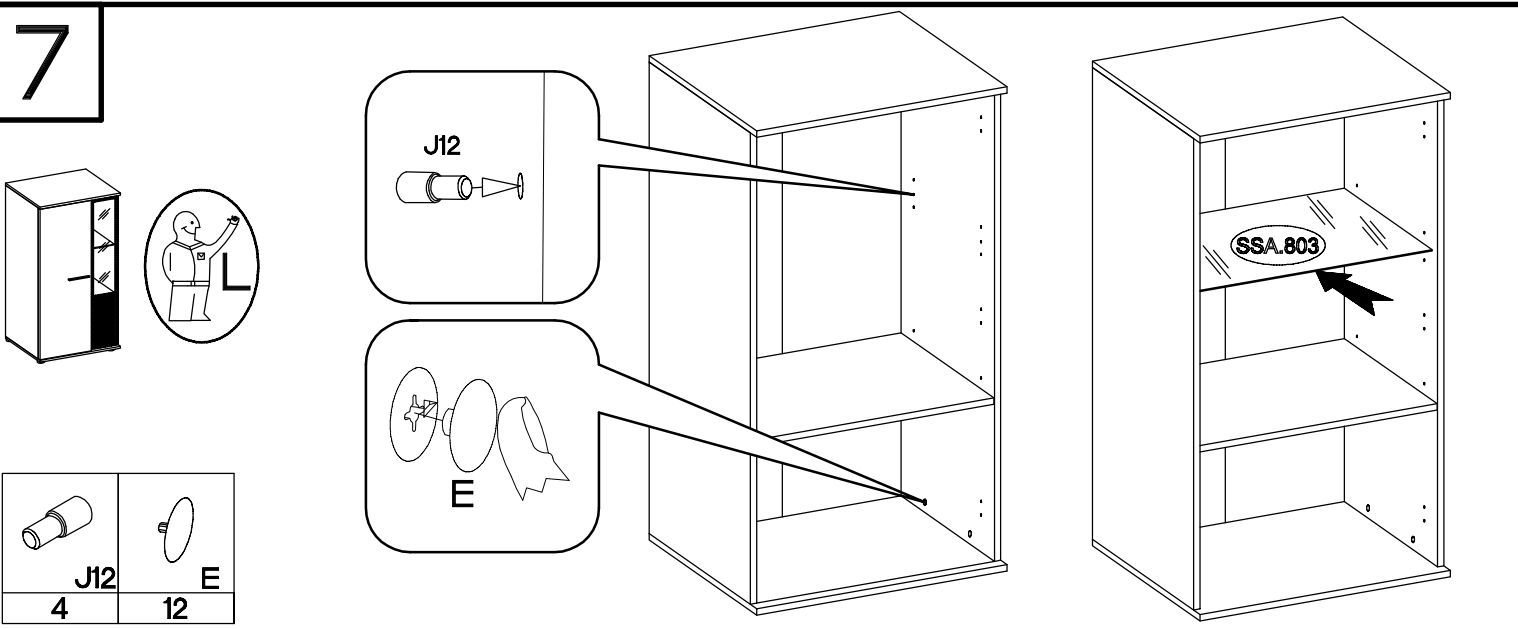
5



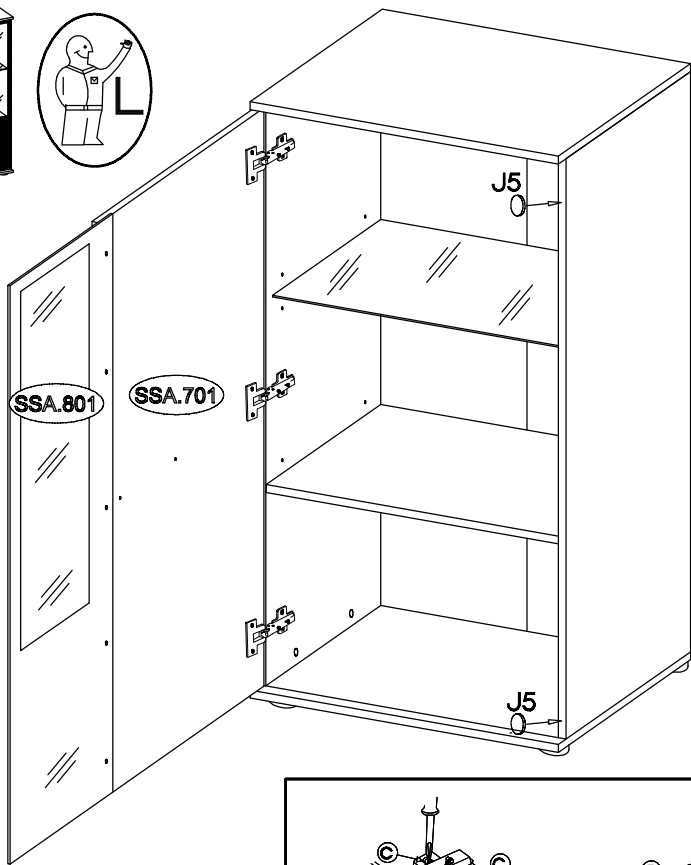
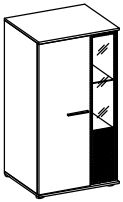
6



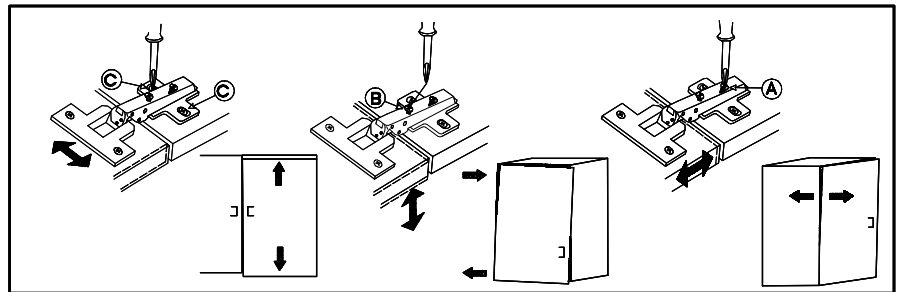
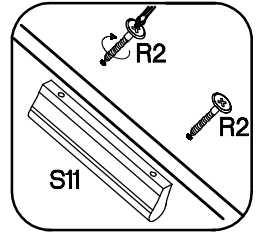
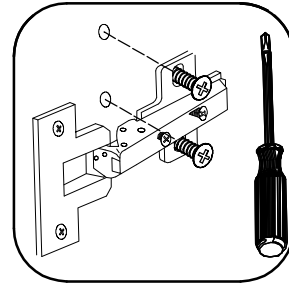
7



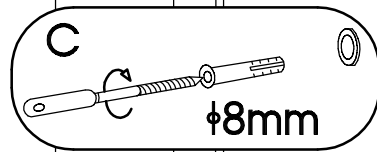
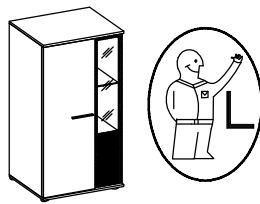
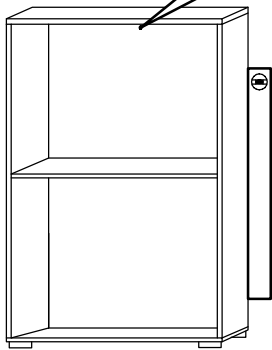
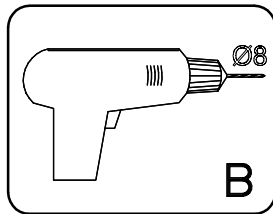
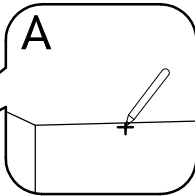
8



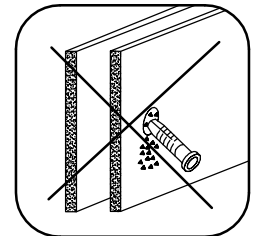
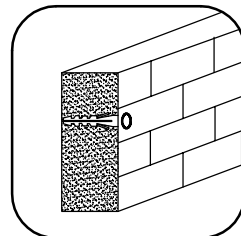
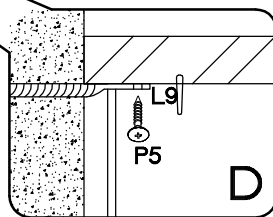
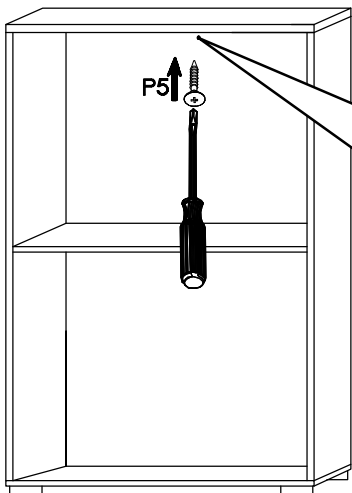
	$\text{4.0x30mm}$	$\text{L=128mm}$
J5	R2	S11
2	2	1



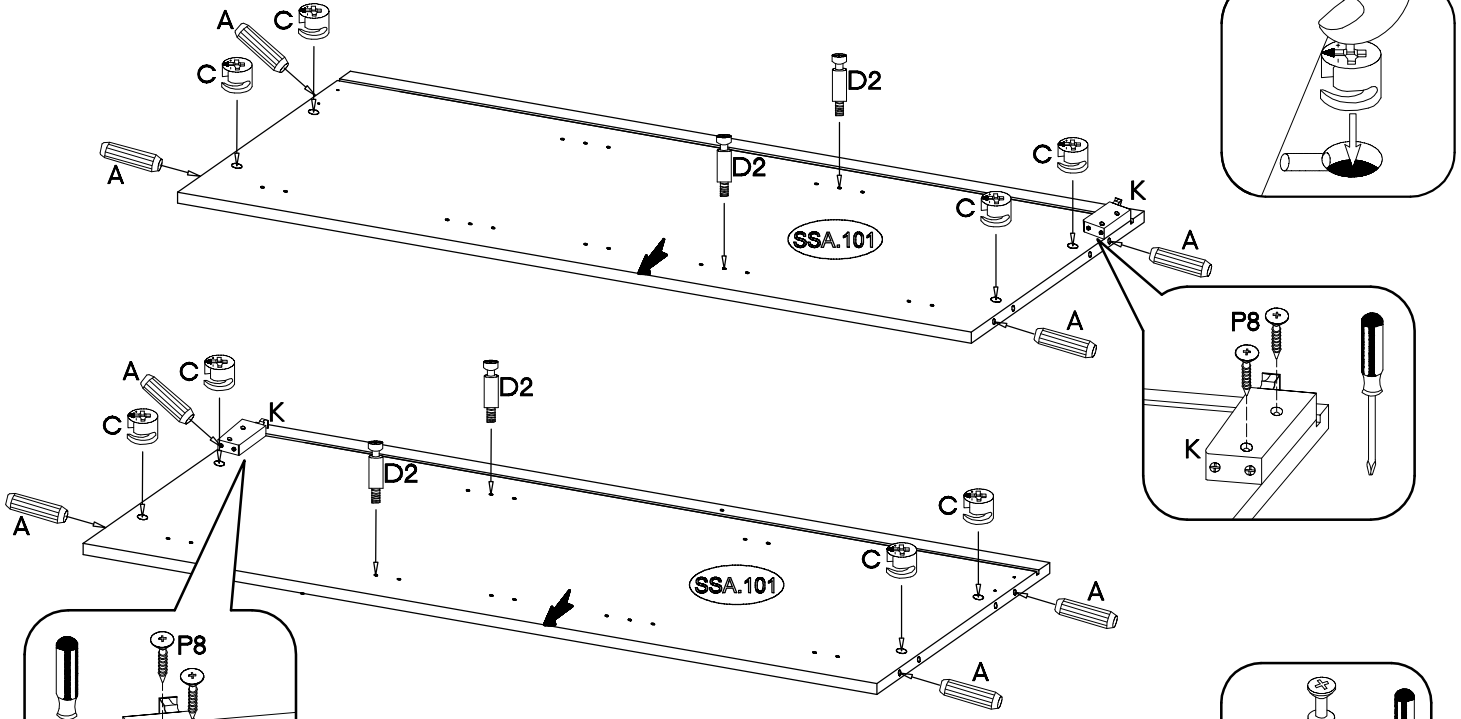
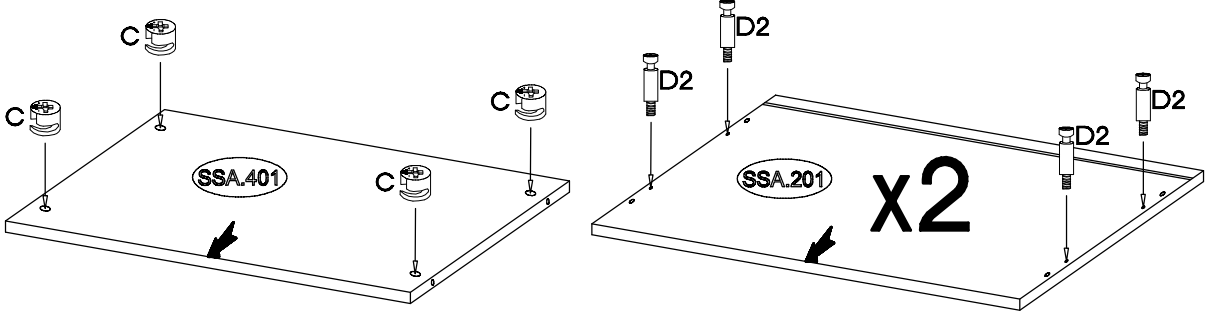
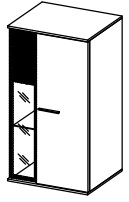
9



	$\text{4.5x13mm}$	$\text{10x50mm}$
L9	P5	O7
1	1	1

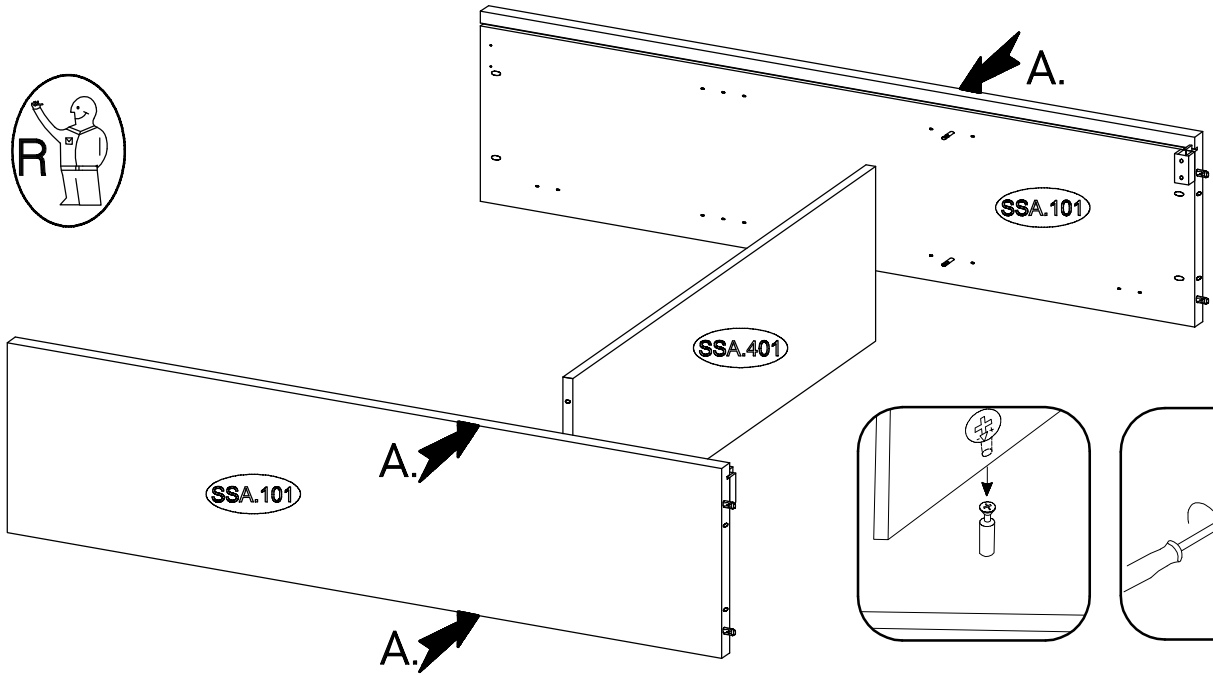
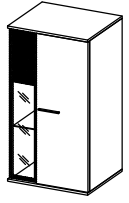


# 10

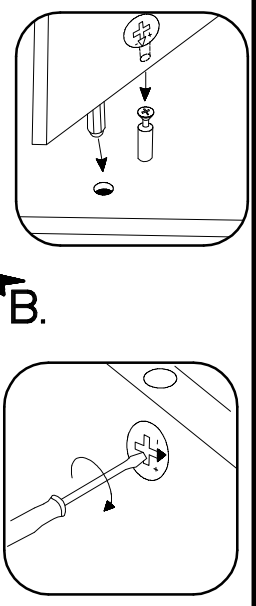
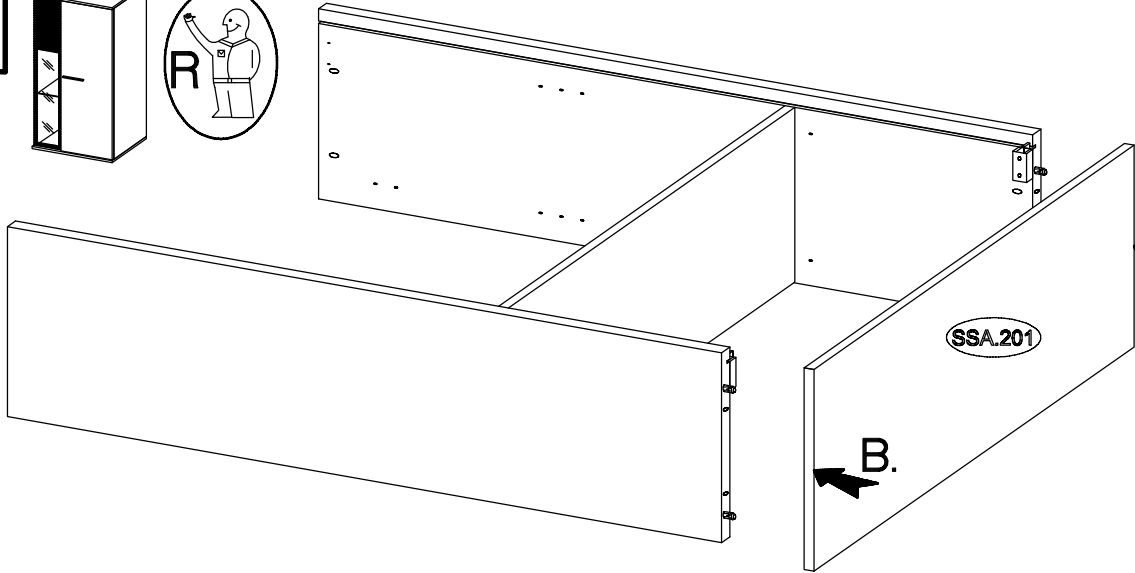
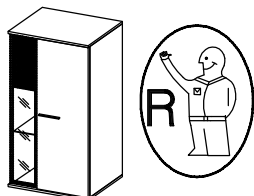


 C	 A	 D2	 K	 P8
12	8	12	2	4

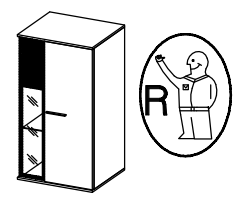
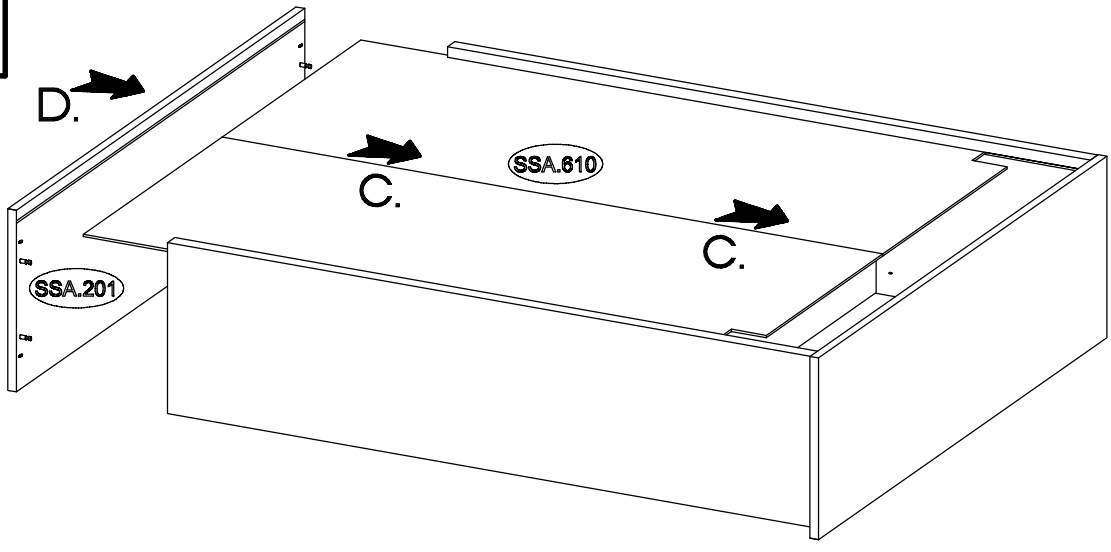
# 11



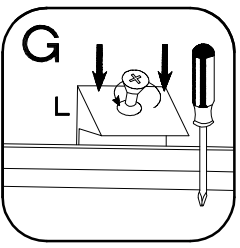
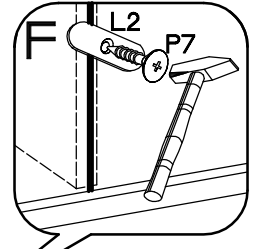
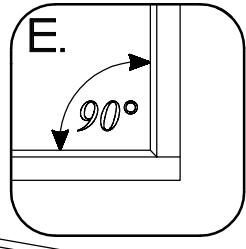
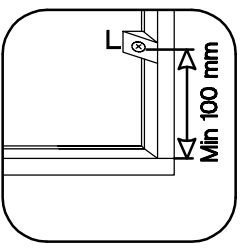
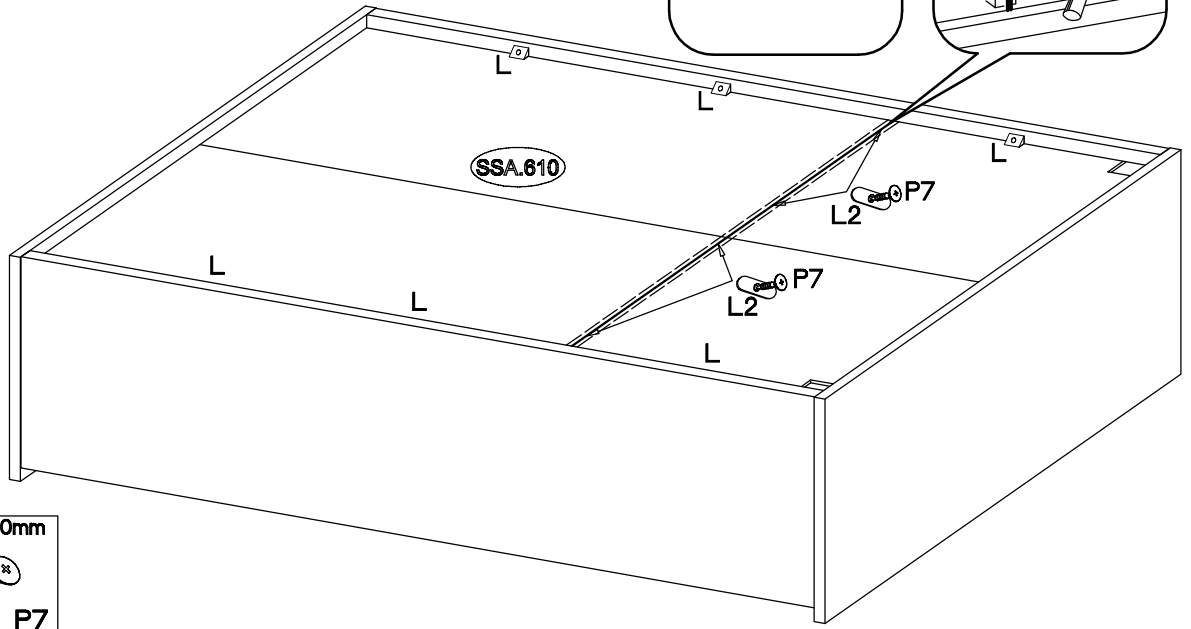
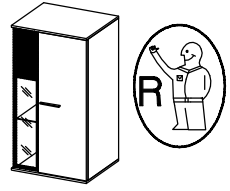
12



13



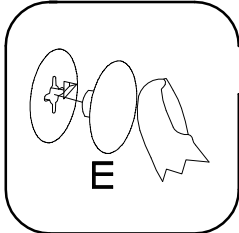
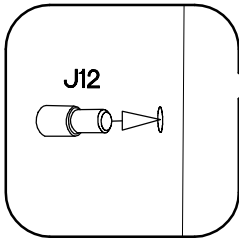
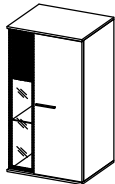
14





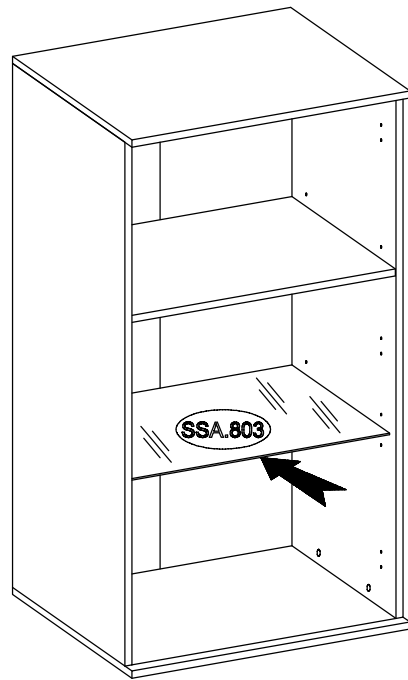
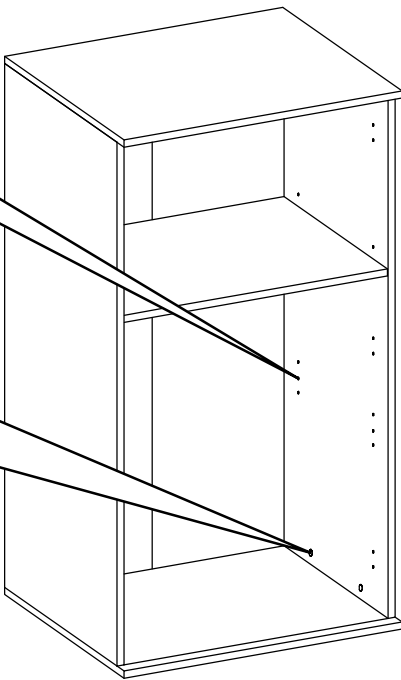
L	L2	P7
6	4	4

±3.0x20mm

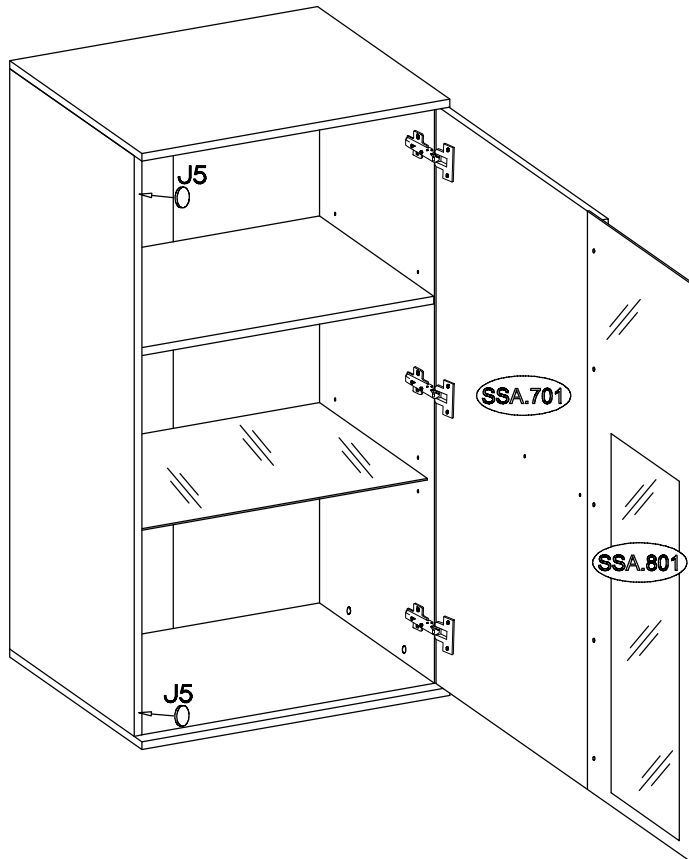
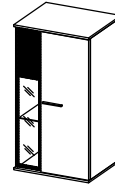
# 15






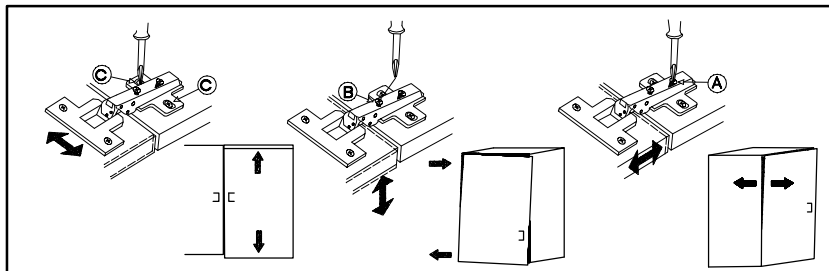
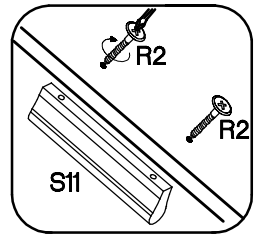
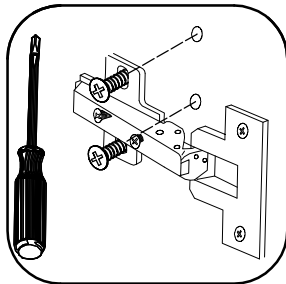
	
J12	E
4	12






# 16

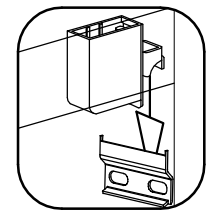
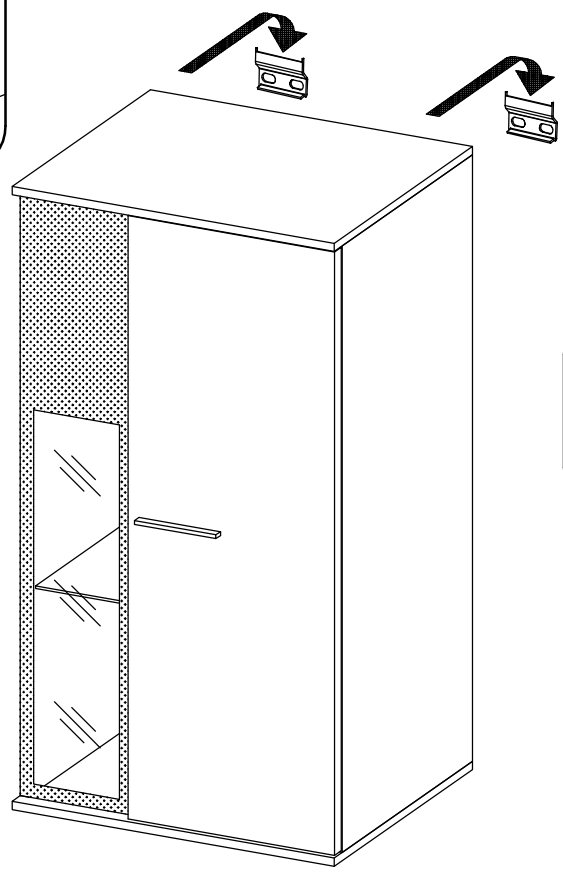
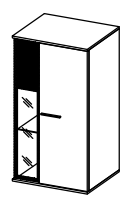
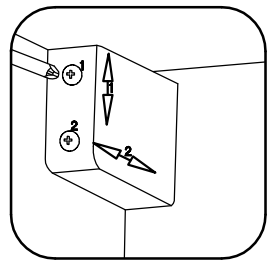
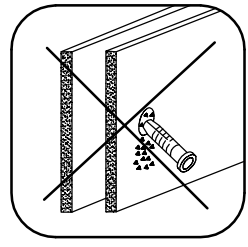
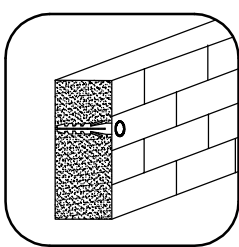
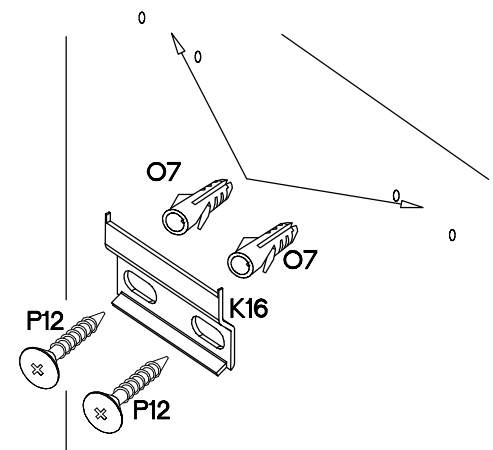
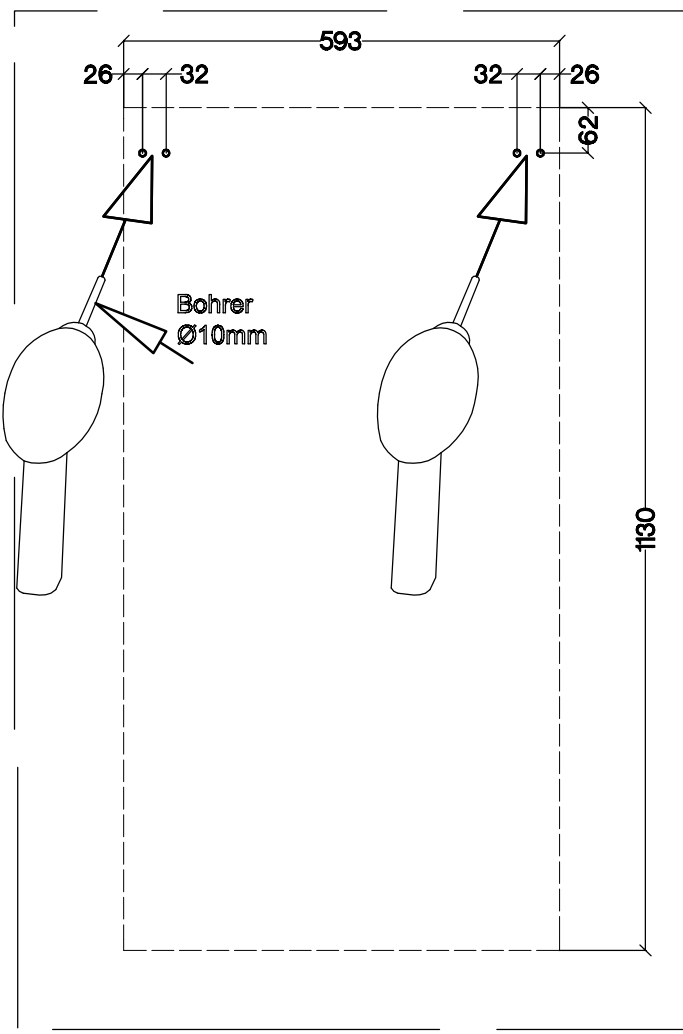


		
J5	R2	S11
2	2	1



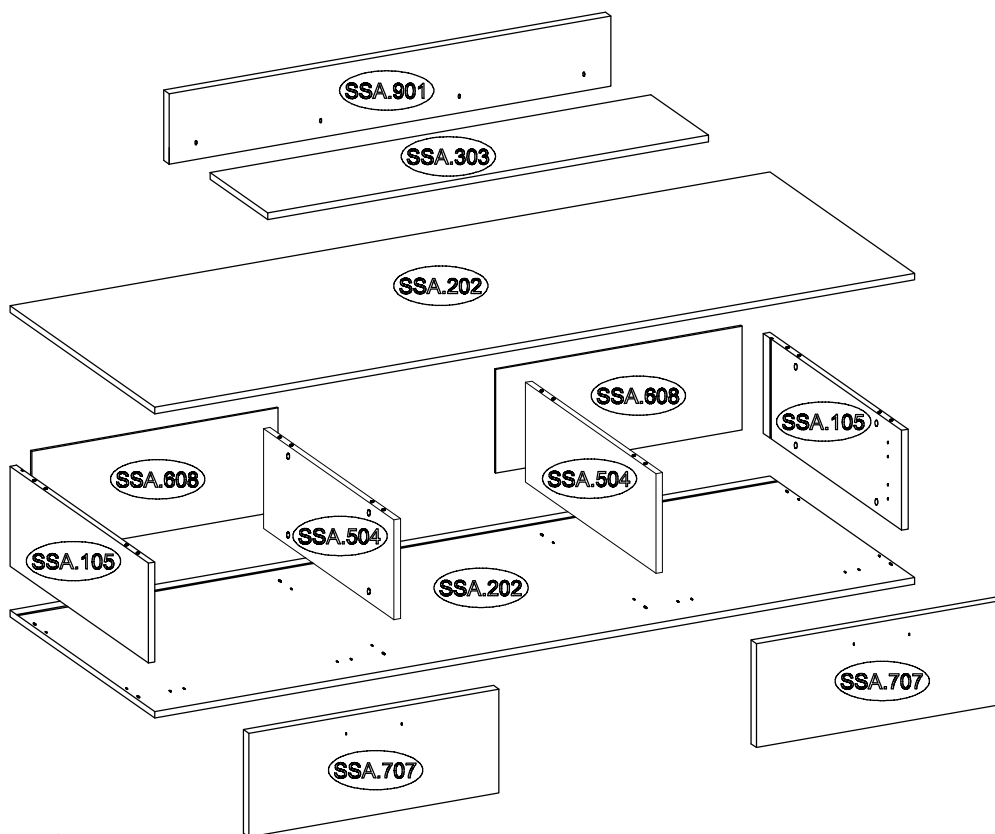
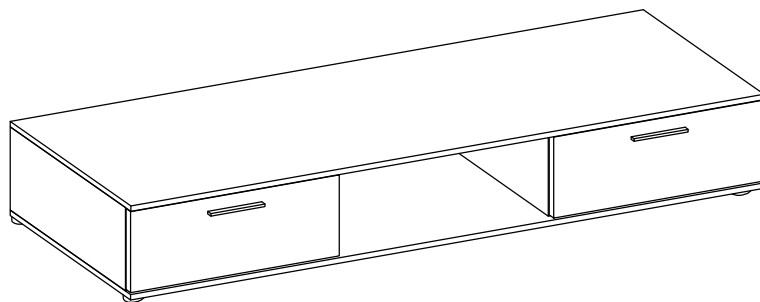
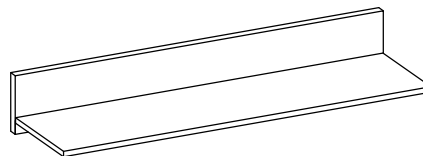


±5.0x60mm	±10x50mm	
		<b>K16</b>
<b>P12</b>	<b>O7</b>	
4	4	2



# SALSA

## Typ 318




1B	L=128mm	+4.0x30mm
	2	4

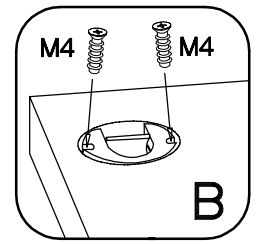
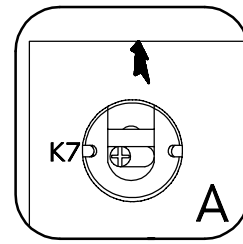
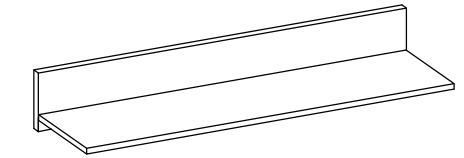
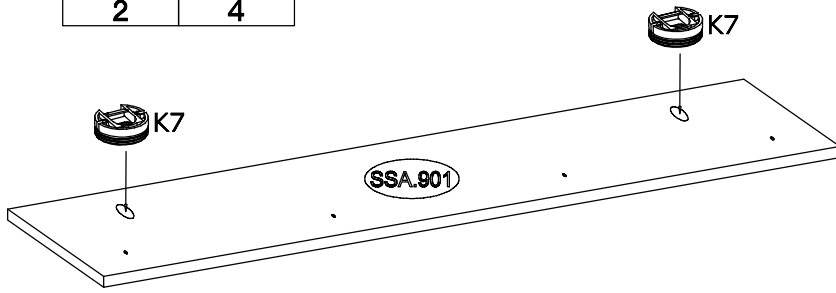
2B	H=0	+35/16mm	+3.5x13mm
	4	4	8

3B		+6.3x9mm		6,4 x 50mm	5/45mm	+10x50mm	+15/12mm	+8x30mm	L=20mm	+4.0x25mm
	2	4	1	4	2	2	16	16	16	6


F10	+3.5x13mm						
	6	6	2	4	16	10	4

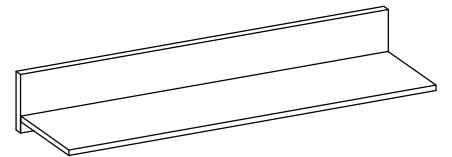
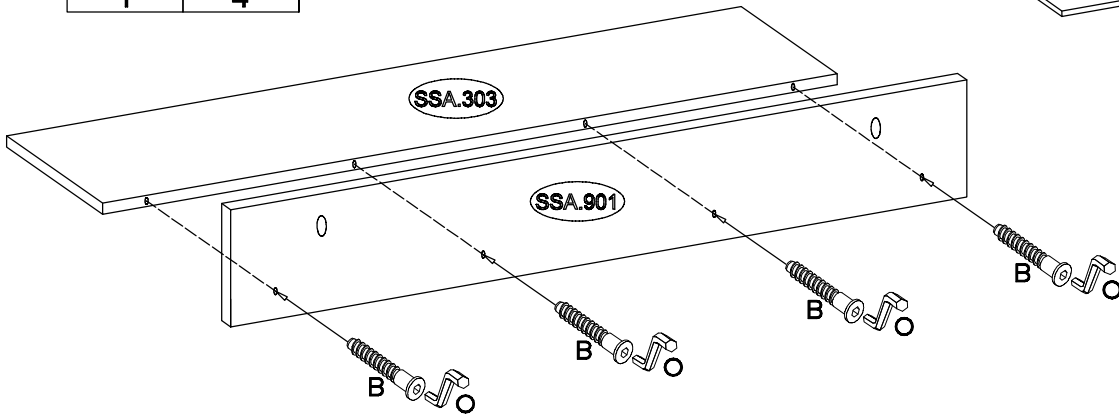
1

	$\pm 6,3 \times 9 \text{mm}$
K7	M4
2	4

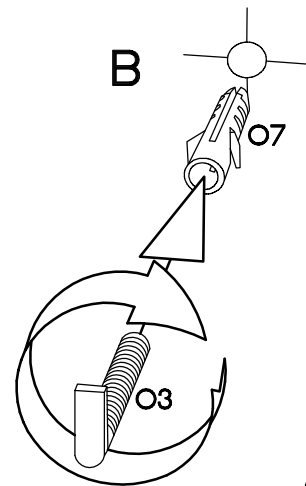
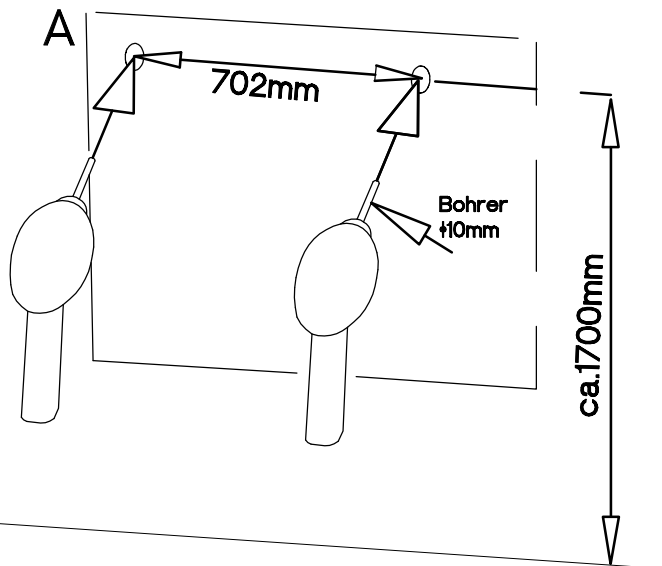



2

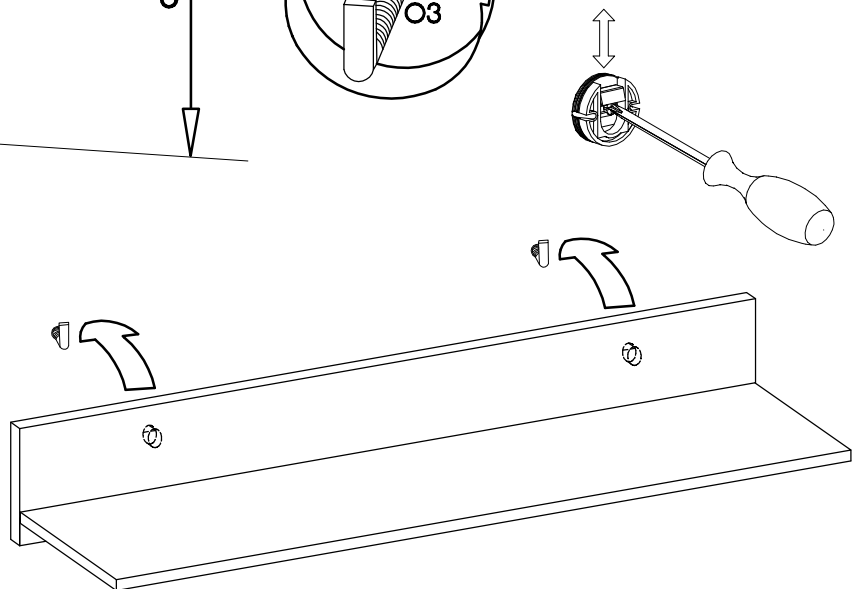
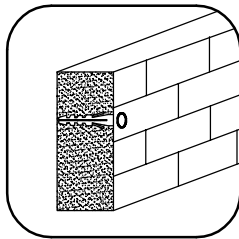
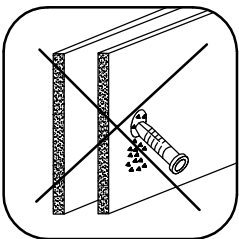
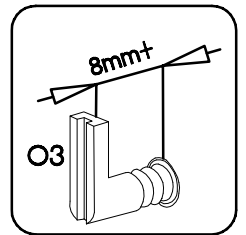
	$6,4 \times 50 \text{mm}$
O	B
1	4






3





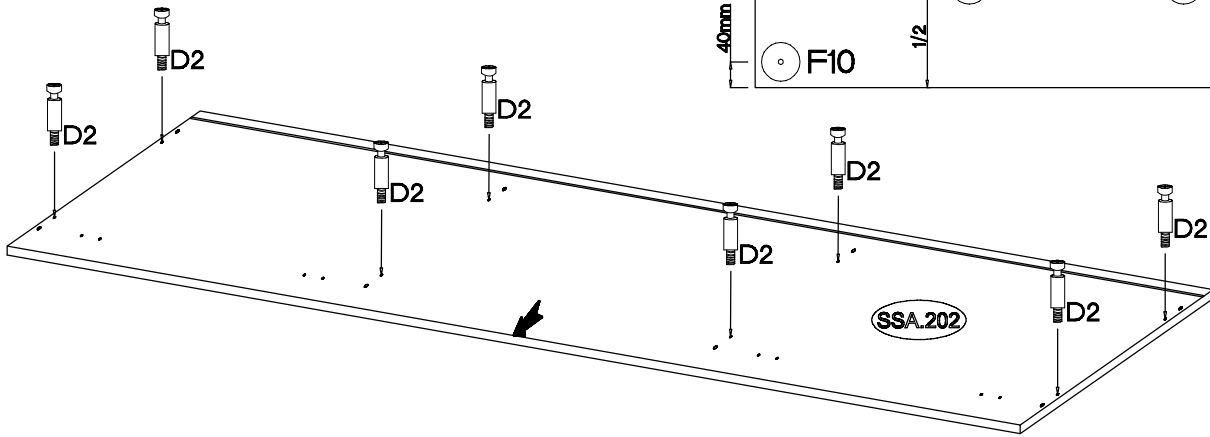
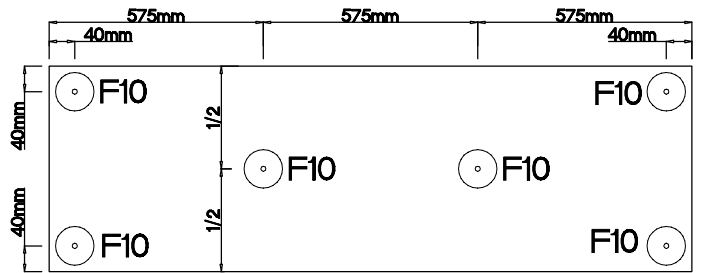
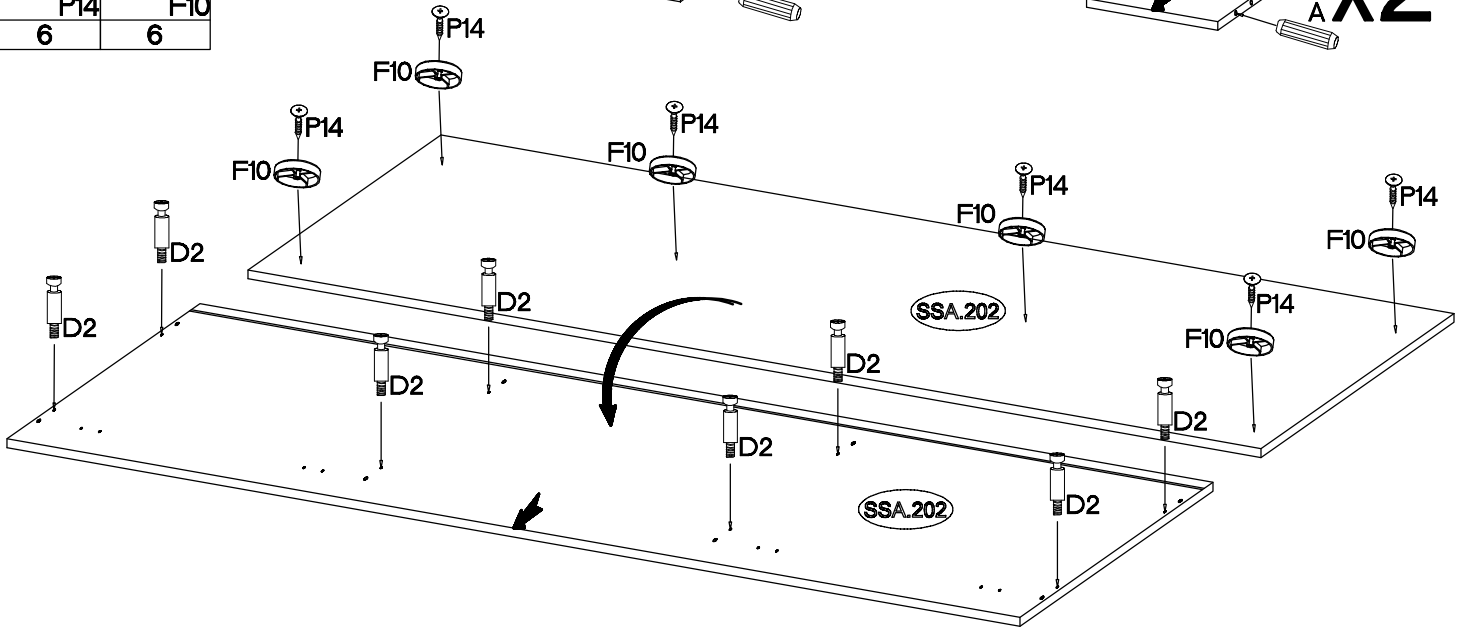
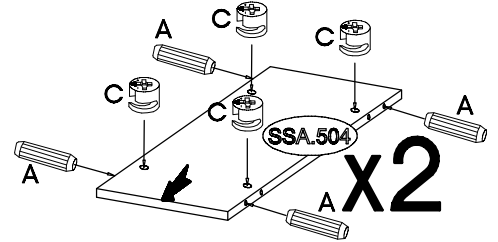
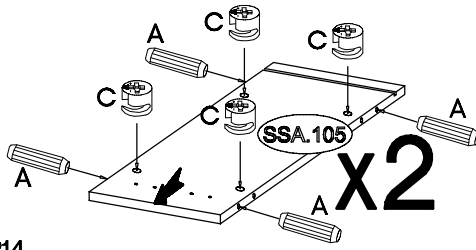
	$\pm 10 \times 50 \text{mm}$
O3	O7
2	2



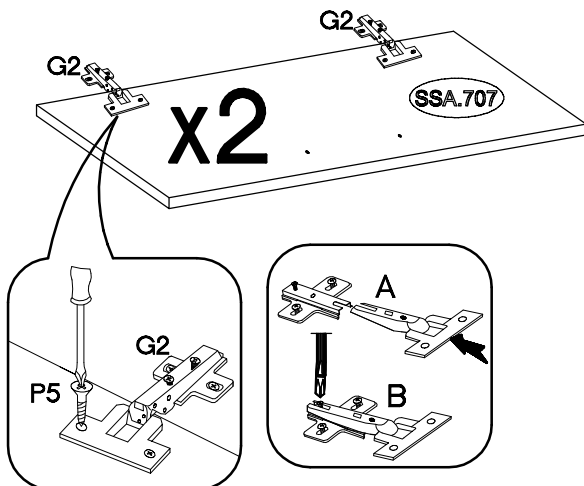
# 4





		
16	16	16

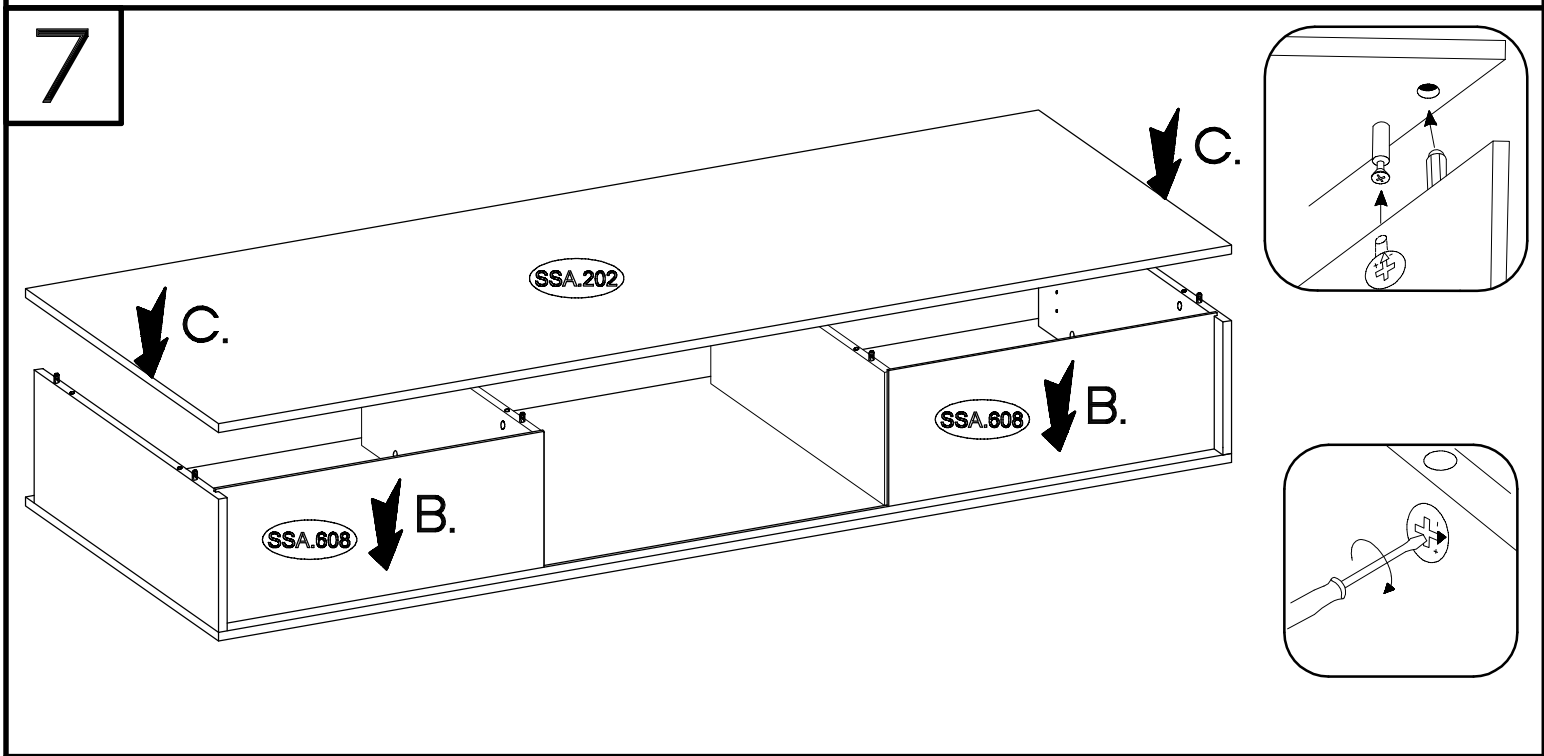
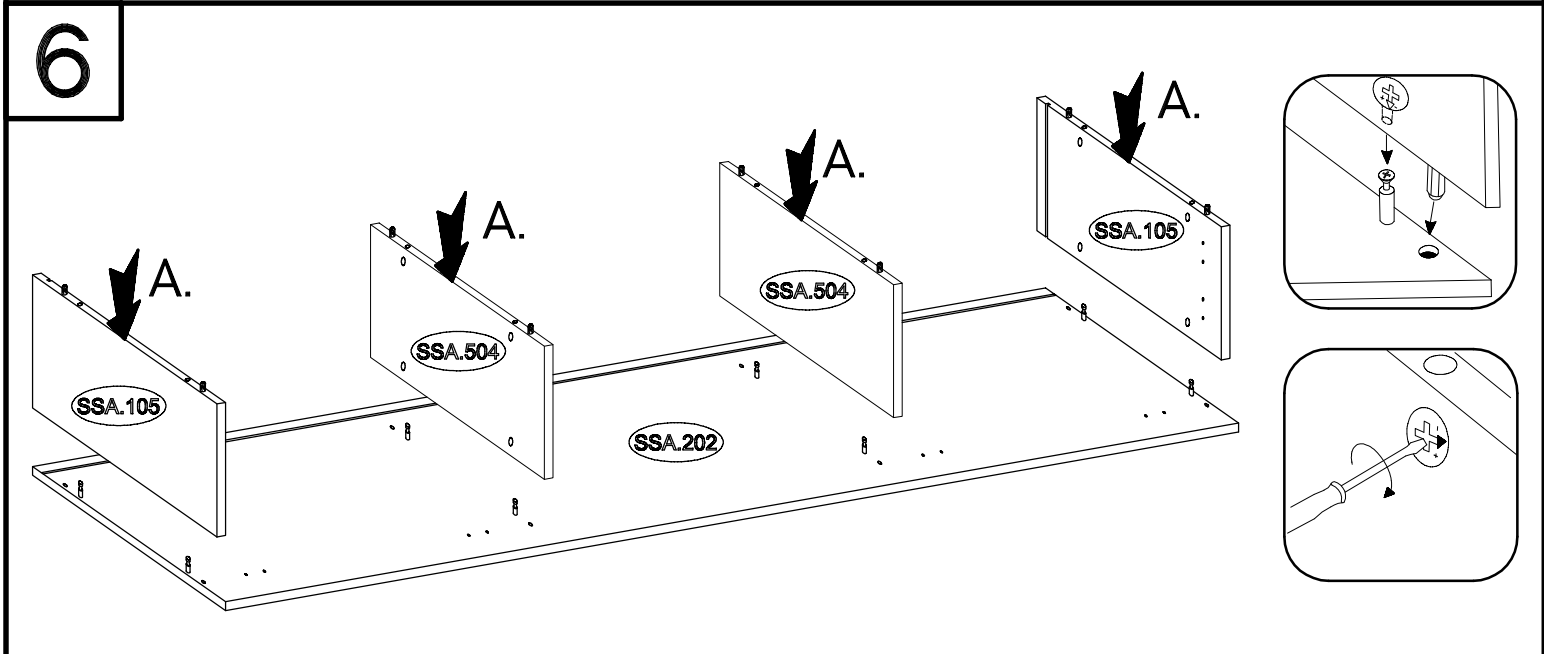
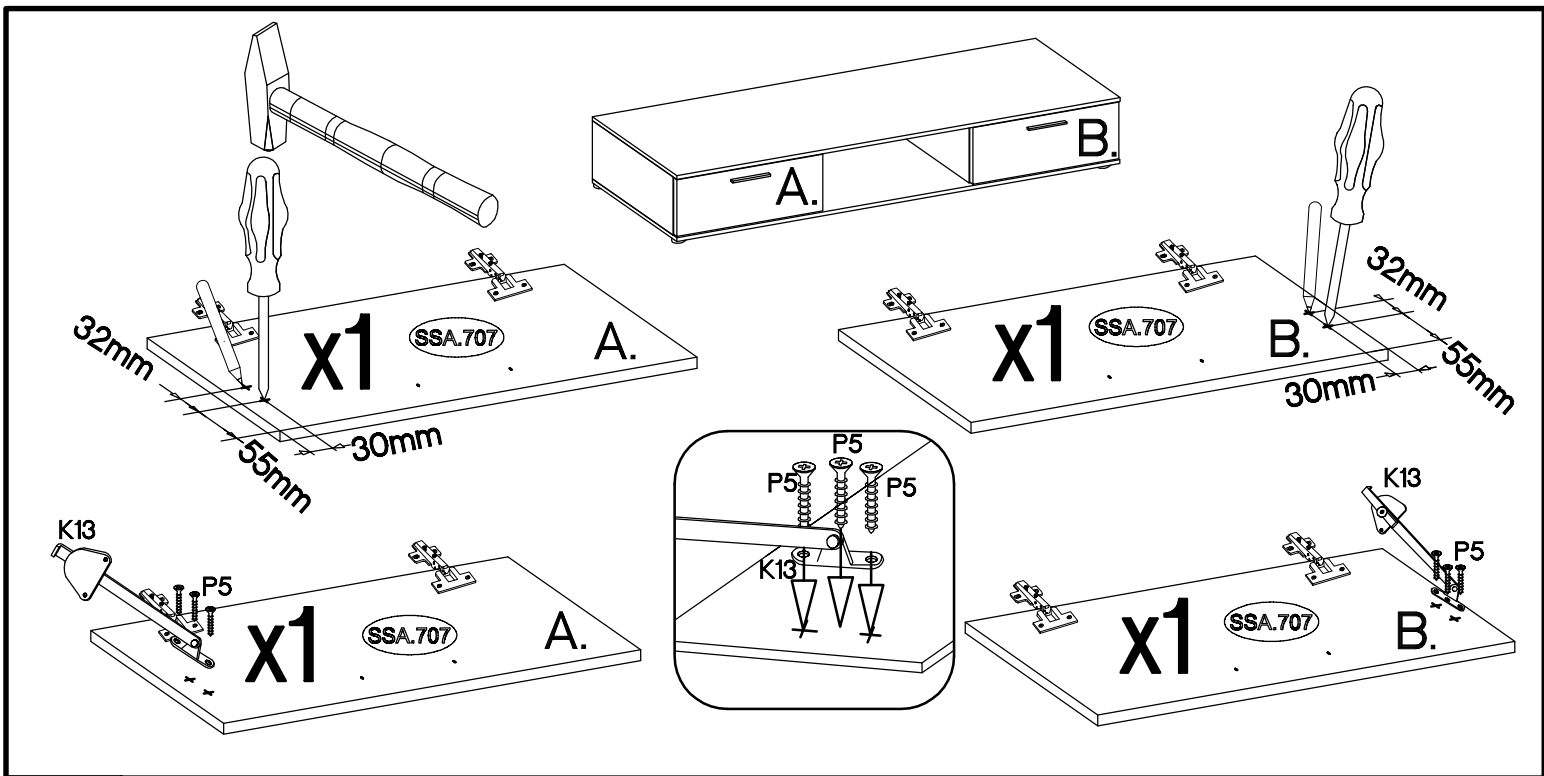
	
6	6



# 5



			
4	4	14	2



# 8

43.0x16mm



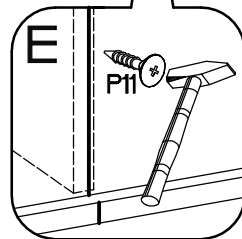
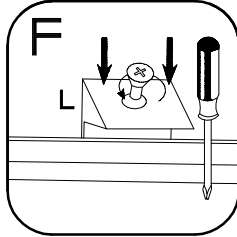
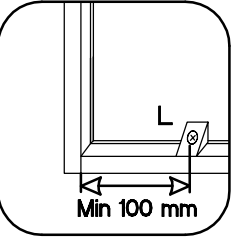
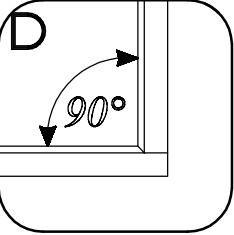
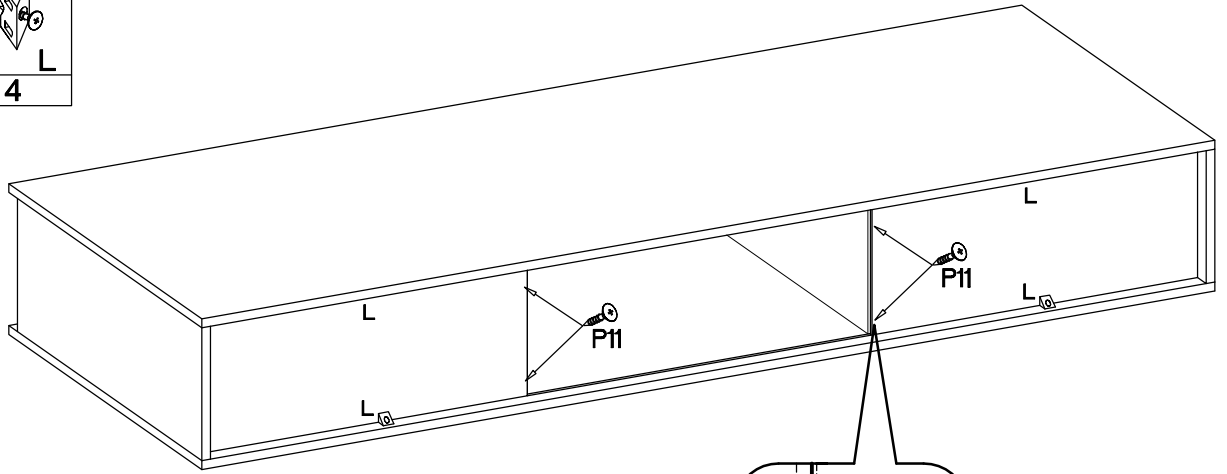
P11

4



L

4



# 9

43.0x16mm



E

16

43.0x16mm



P11

6

4.0x30mm



R2

4

L=128mm



S11

2



J5

4

