






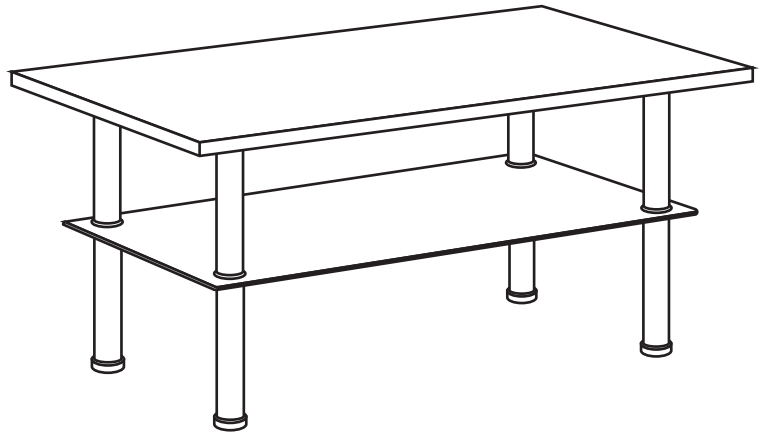


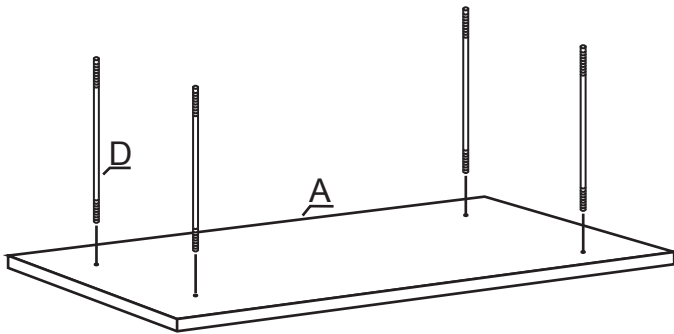
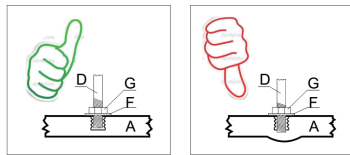
ASSEMBLY INSTRUCTION

Item NO.: FLIP III

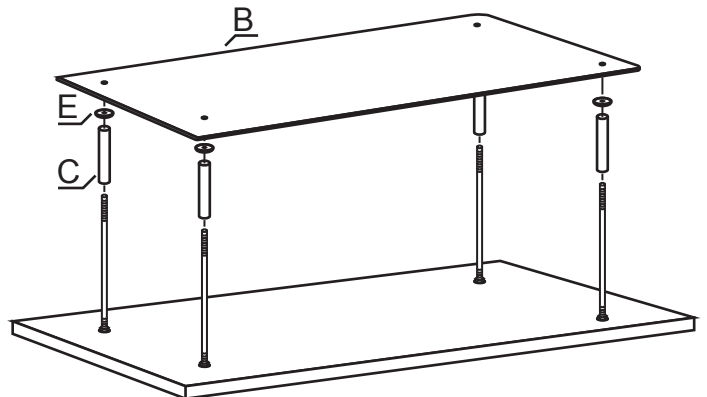
| HARDWARE LIST | | | |
|---------------|---|----------------|------|
| NO. | PART | DESCRIPTION | Q'TY |
| A |  | MDF top | 1 |
| B |  | glass bottom | 1 |
| C |  | stainless tube | 8 |
| D |  | rod | 4 |
| E |  | plastic gasket | 8 |
| F |  | screw nut | 4 |
| G |  | feet | 4 |



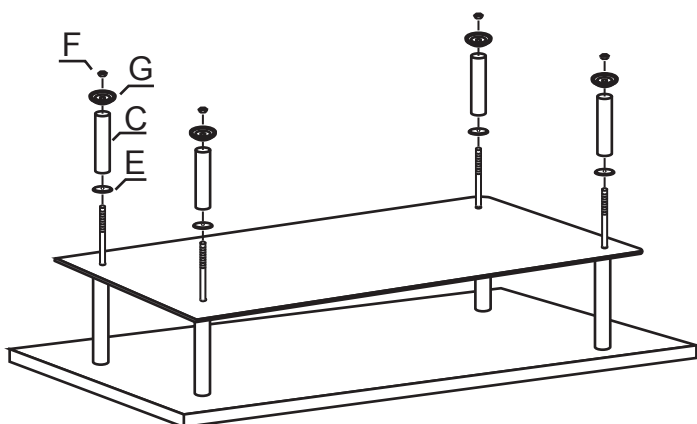
step 1



step 2



step 3



step 4

