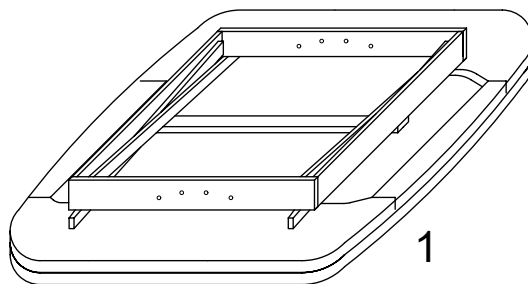
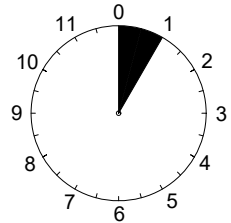
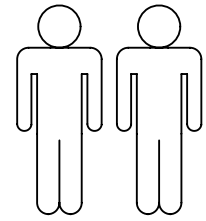
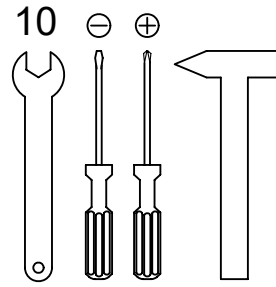
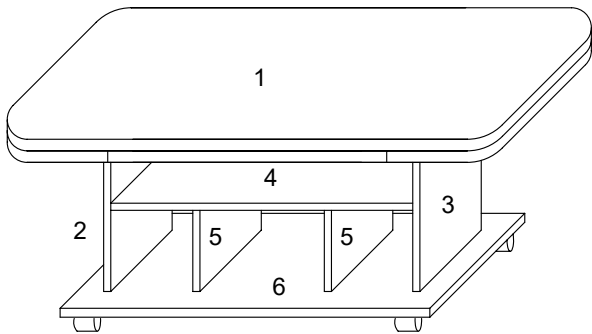
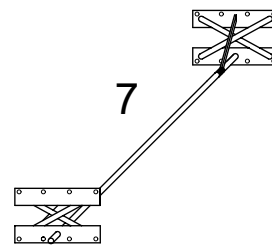
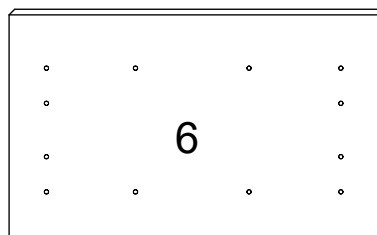
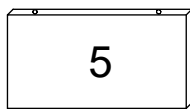
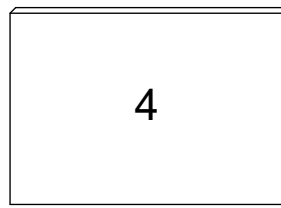
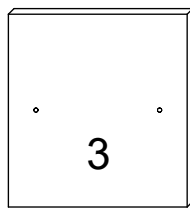
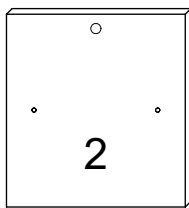


# 063/270 "Babsi III"



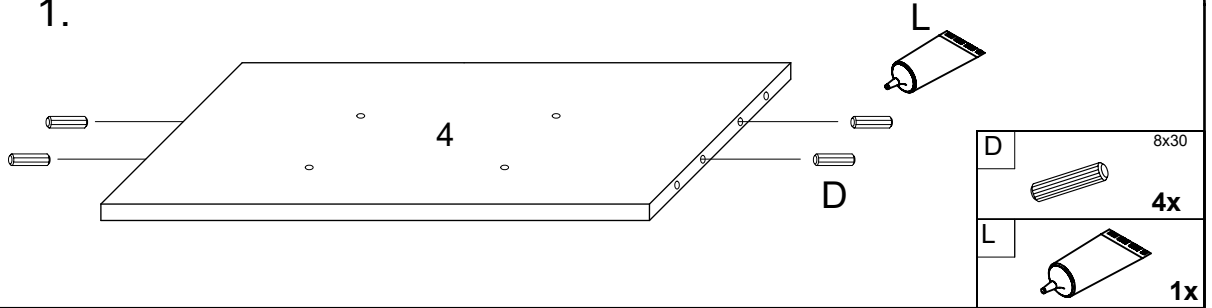
Part No.	Quantity	Length
1	1 x	1/2
2	1 x	2/2
3	1 x	2/2
4	1 x	2/2
5	2 x	2/2
6	1 x	2/2
7	1 x	2/2



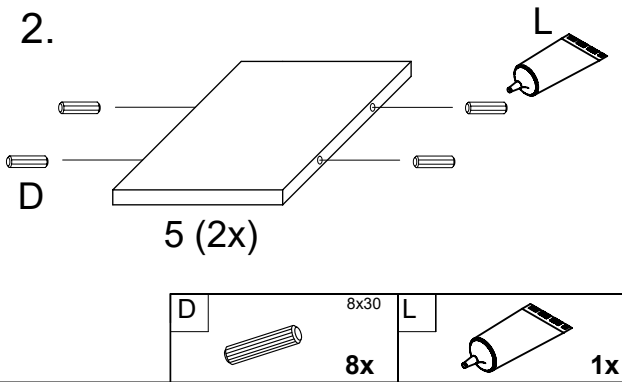
A	8x	B	8x	C	24x	D	16x	E	8x	F	4x
G	2x	H	2x	K	1x	L	1x				

I.

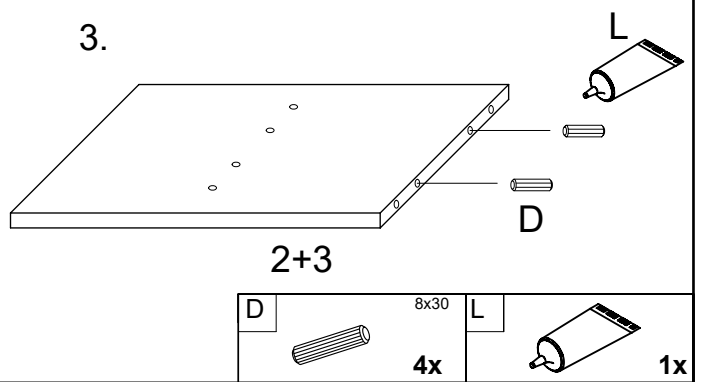
1.



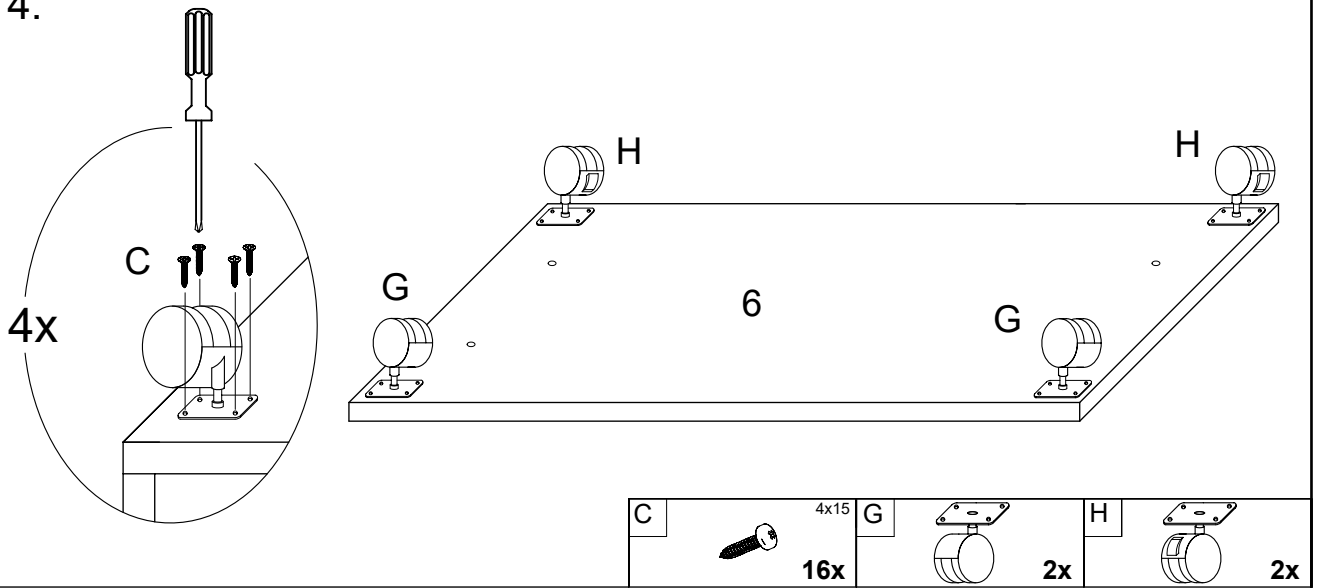
2.



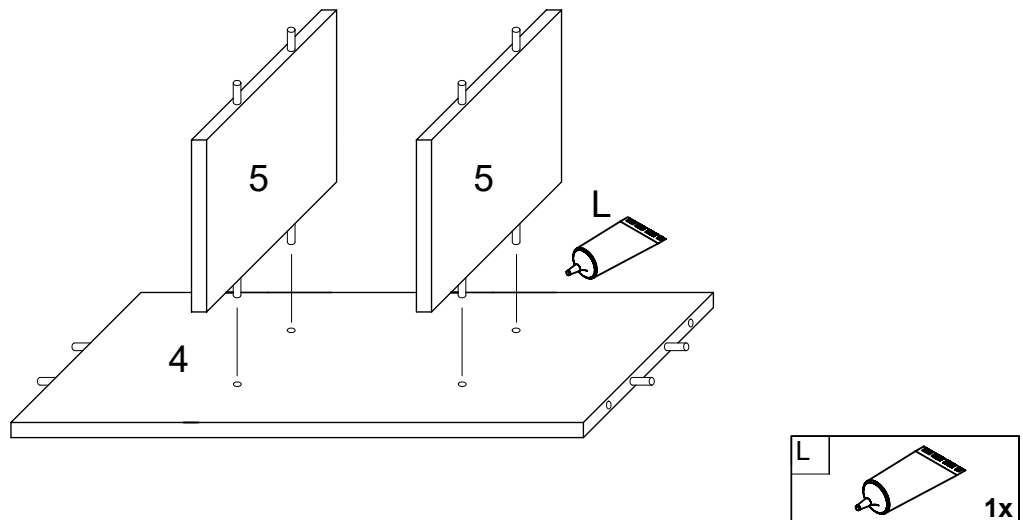
3.



4.

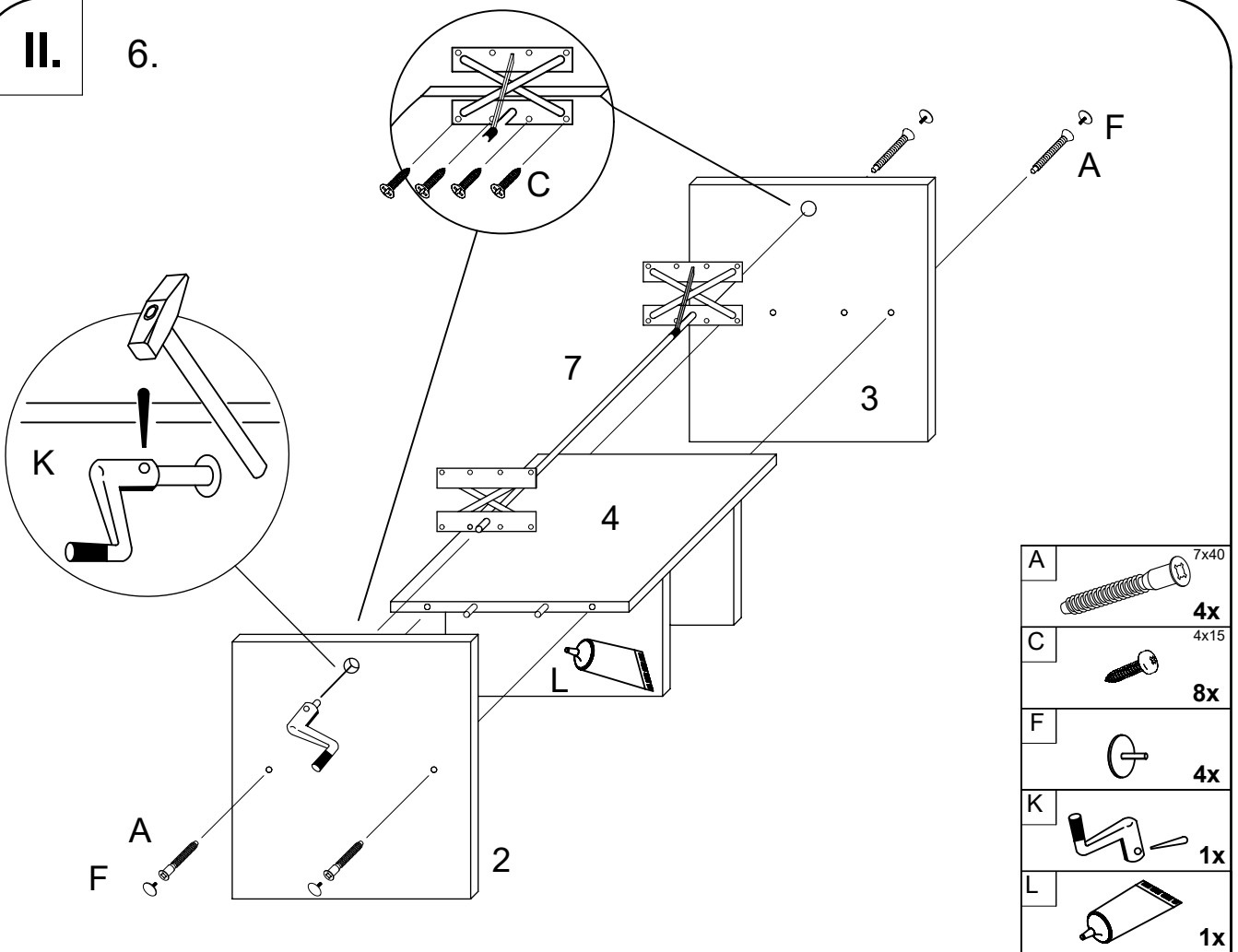


5.

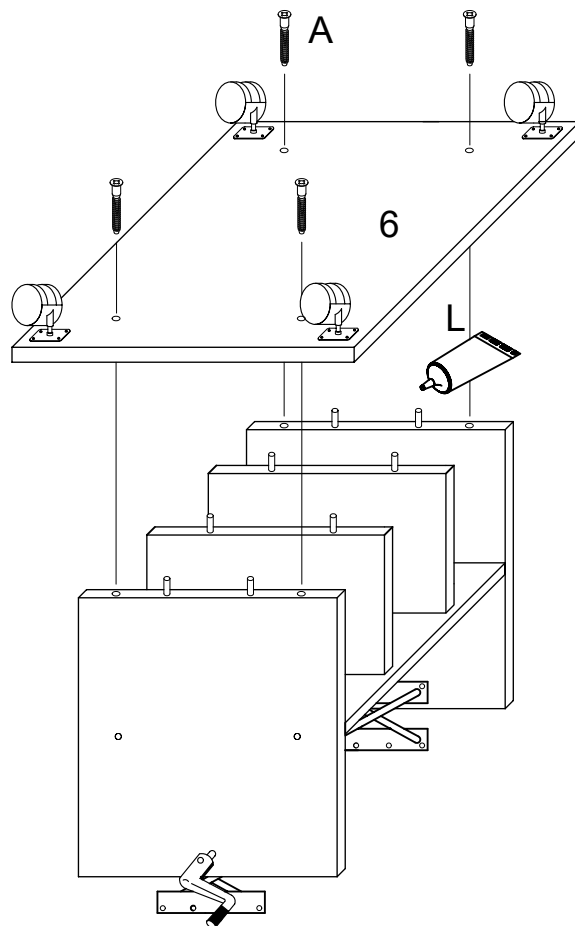


II.

6.

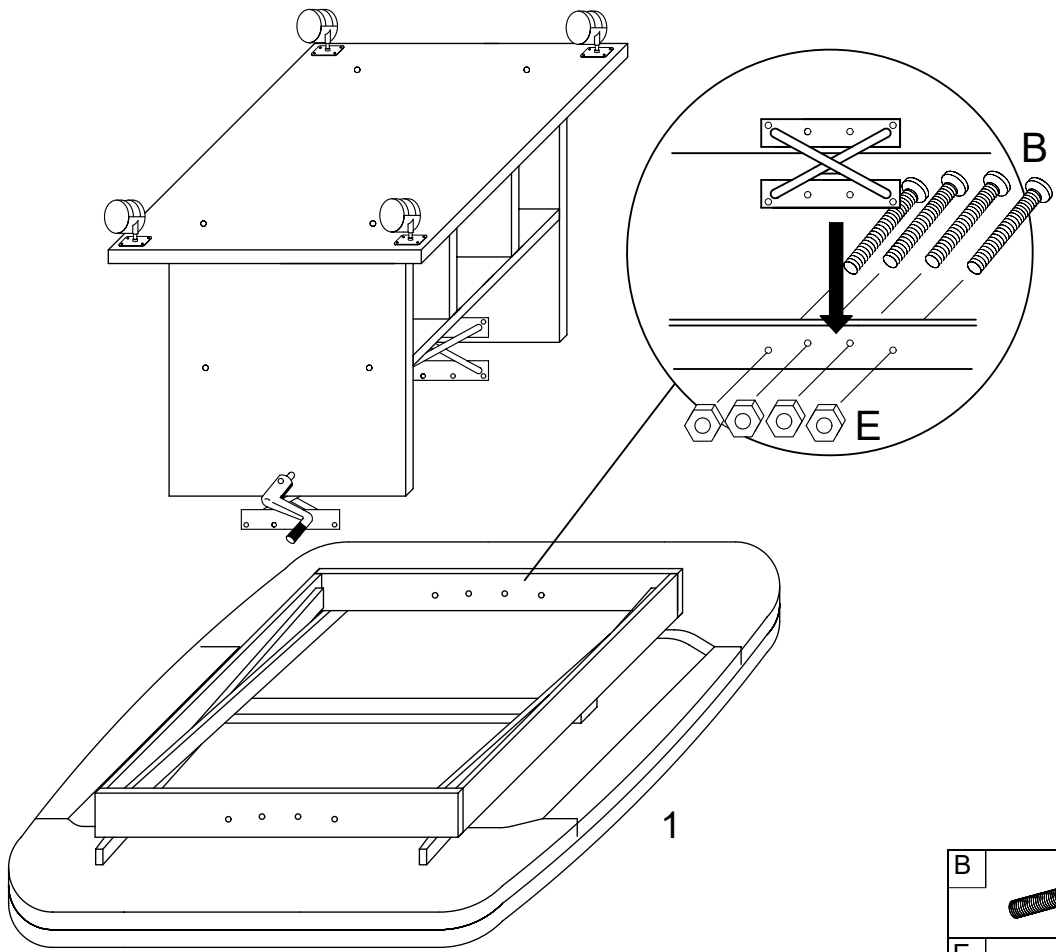


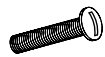

7.



III.

8.



B		6x35
		8x
E		
		8x

9.

