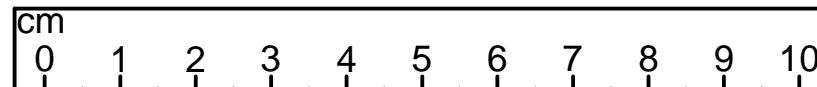
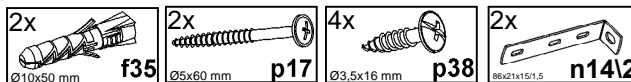
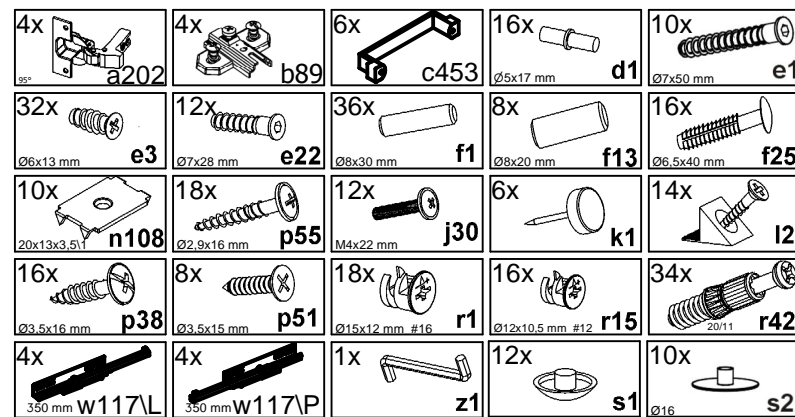
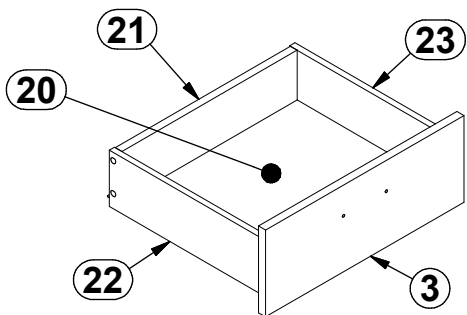
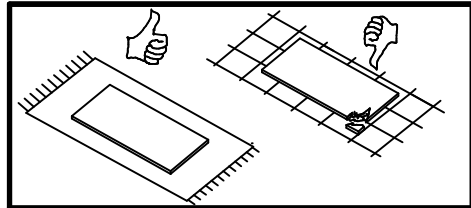
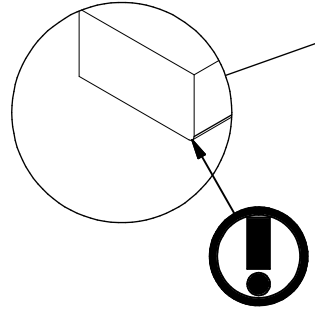
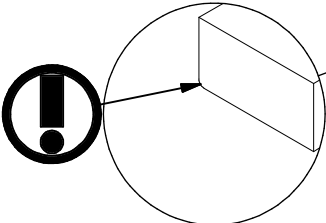
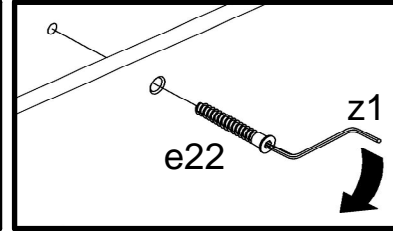
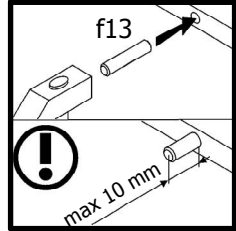
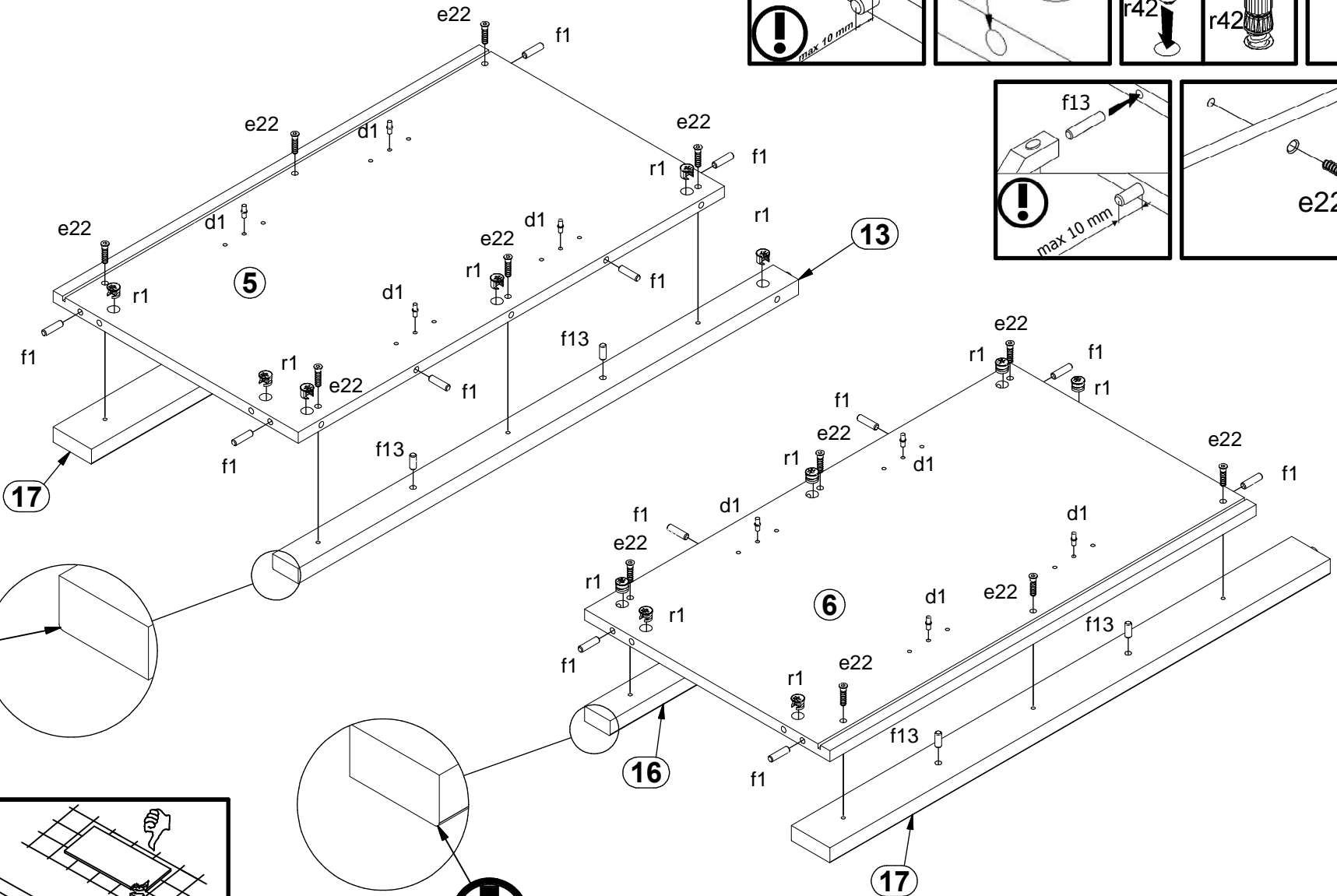
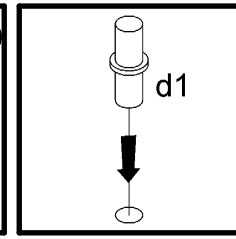
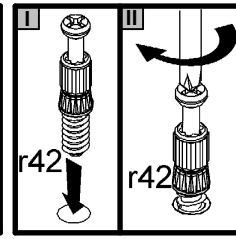
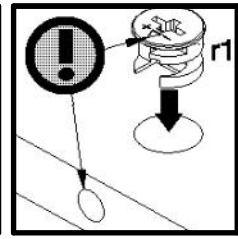
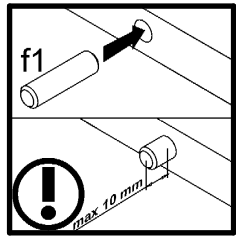
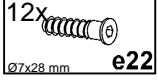
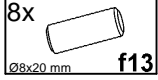
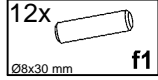
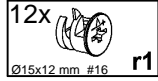
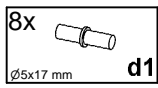
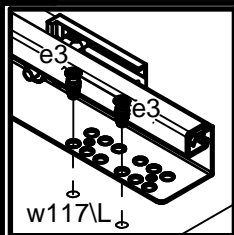


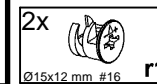
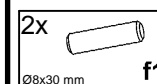
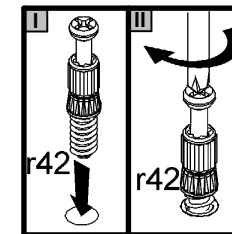
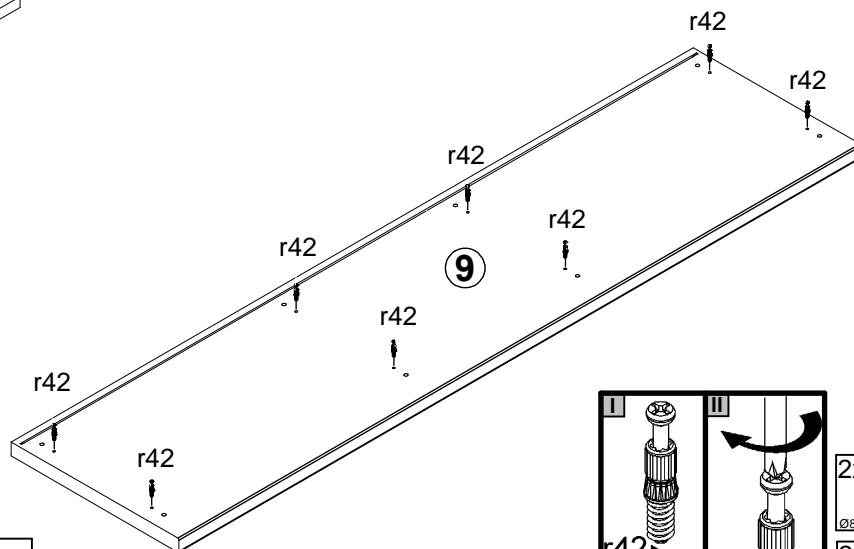
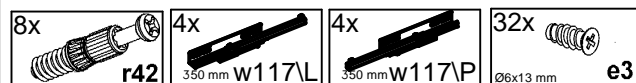
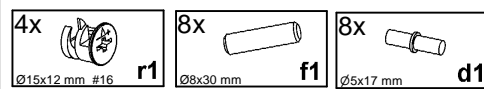
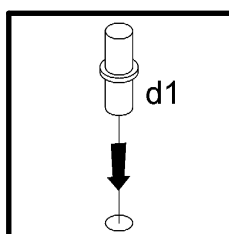
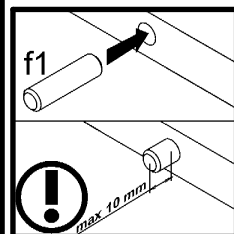
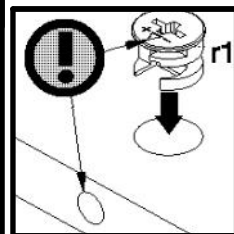
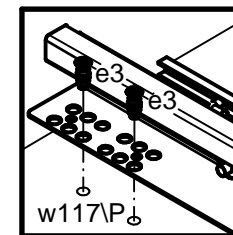
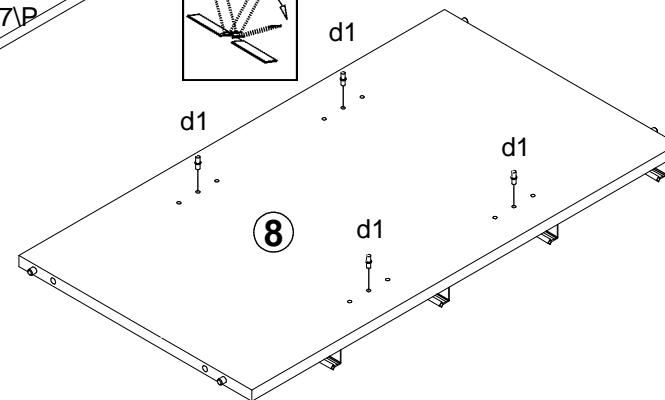
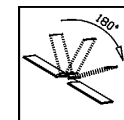
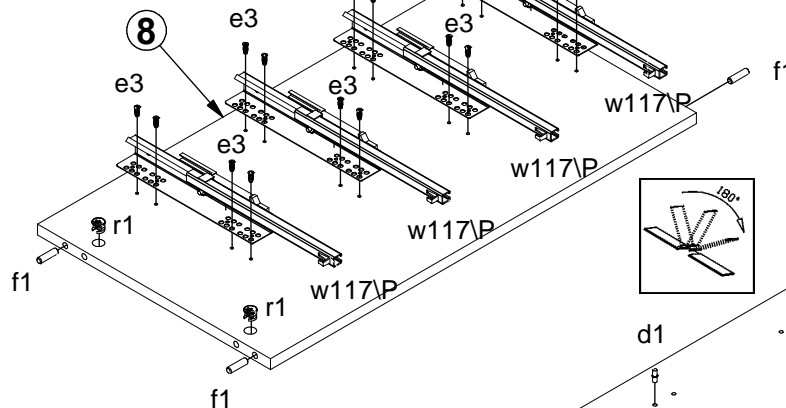
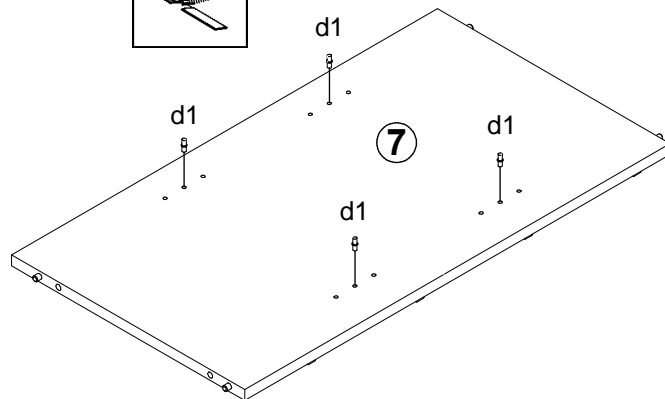
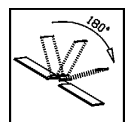
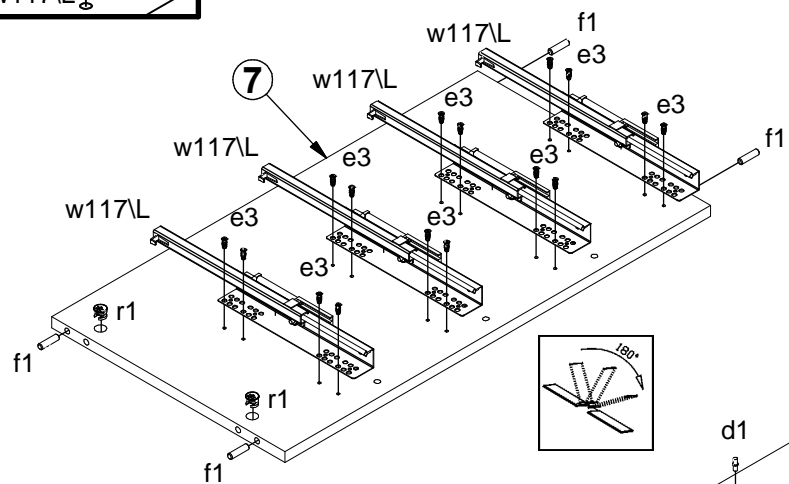
A	B	C1	C2	C3	D
1	M249-5015	107	65	22	1/3
2	M249-5025	107	65	22	1/3
3	S510-0051	446	169	16	3/3
4	S510-0052	718,	596	16	3/3
5	S510-1051	718,	413	16	1/3
6	S510-1052	718,	413	16	1/3
7	S510-1053	718,	393	16	3/3
8	S510-1054	718,	393	16	3/3
9	S510-2051	1790	440	32	2/3
10	S510-2052	1736,	413	18	2/3
11	S510-3052	618	393	16	1/3
12	S510-4051	434,	80	22	3/3
13	S510-5052	843,	43	22	1/3
14	S510-5053	843,	65	22	1/3
15	S510-5054	843,	65	22	1/3
16	S510-5055	843,	43	22	1/3
17	S510-5056	843,	65	22	1/3
18	S510-9052	728	449	2,5	3/3
19	S510-9351	728,	633	2,5	3/3
20	WSP-9002	404,	358	2,5	3/3
21	ZQ6-5076	394	97	15	1/3
22	ZQ6-519	350	110	12	3/3
23	ZQ6-520	350	110	12	3/3



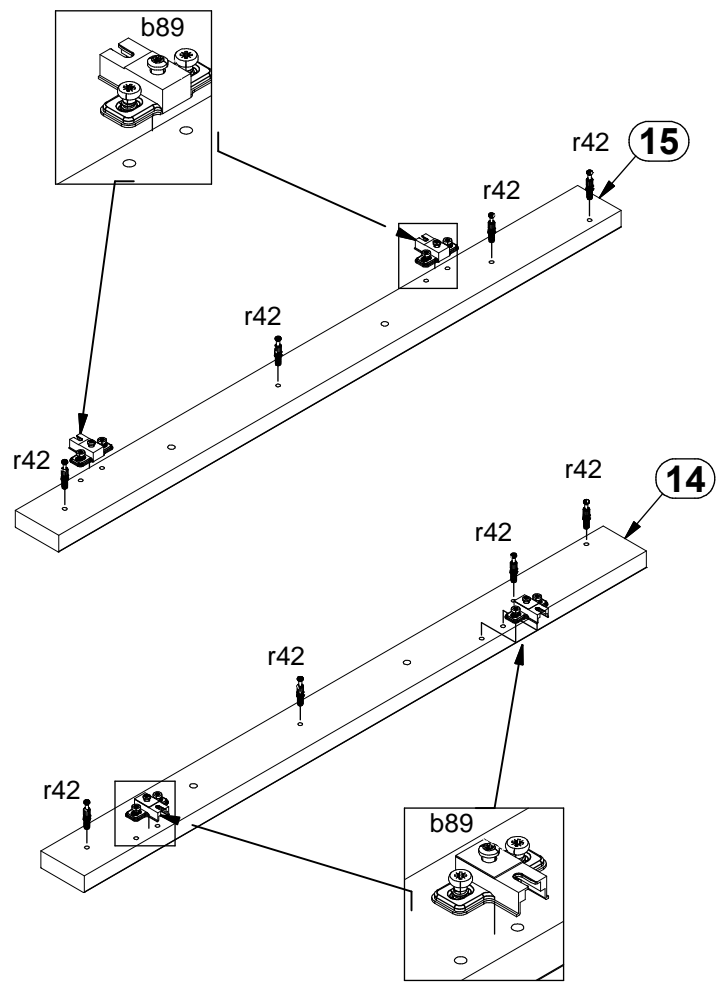




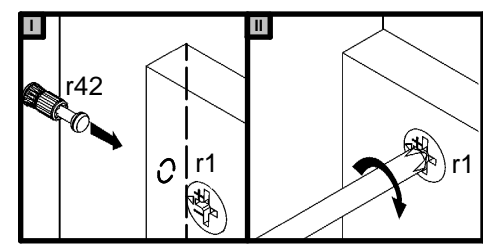
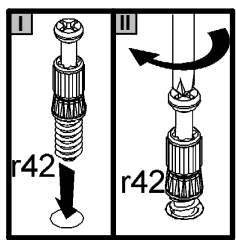
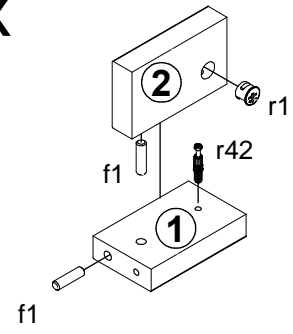
1



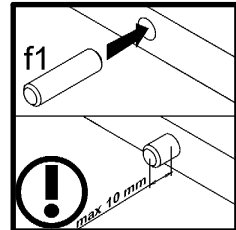
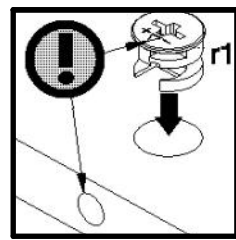
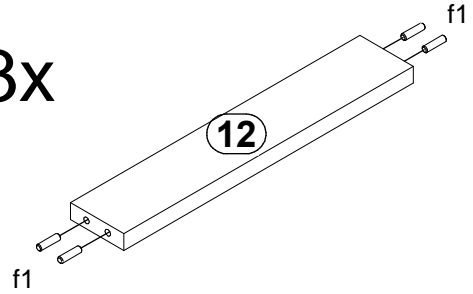
1



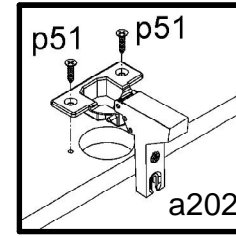
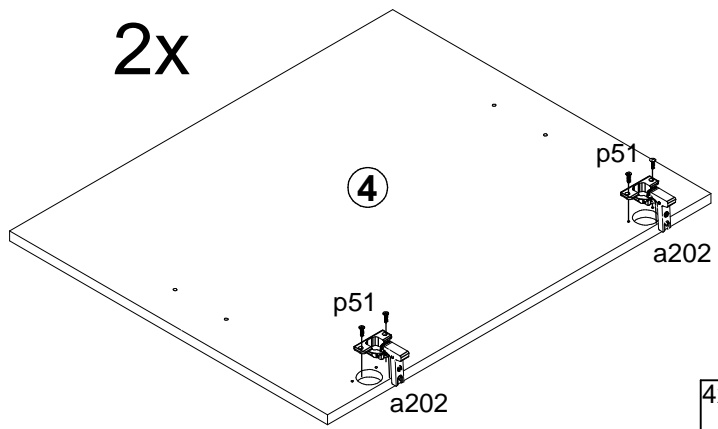
2x



3x



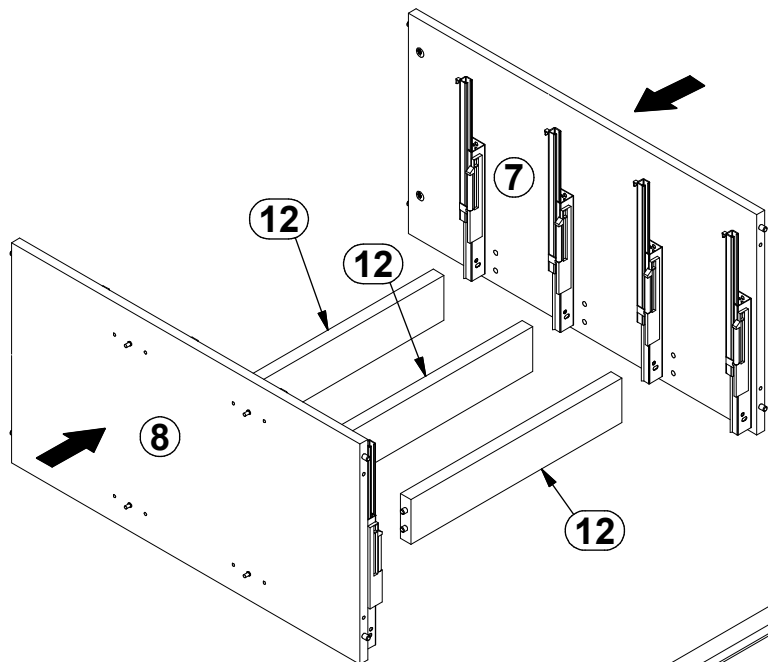
2x



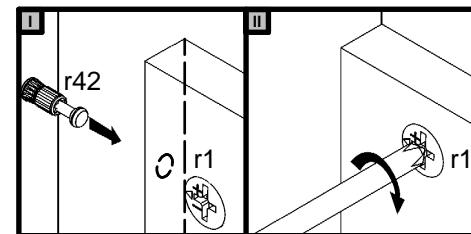
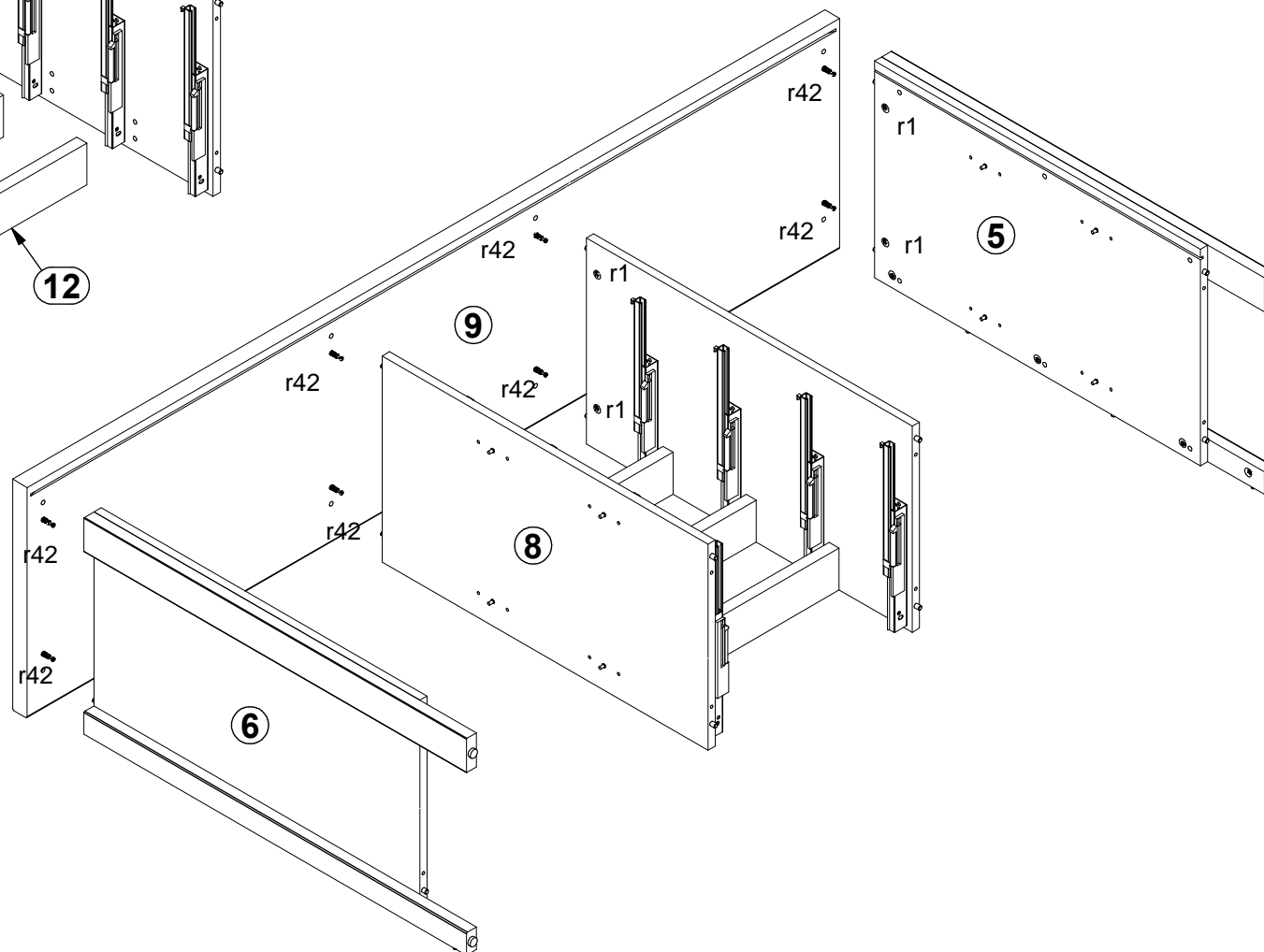
- 9x r42
- 4x b89
- 1x r1
- 6x f1

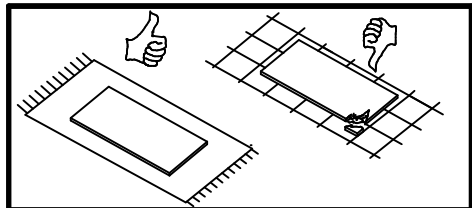
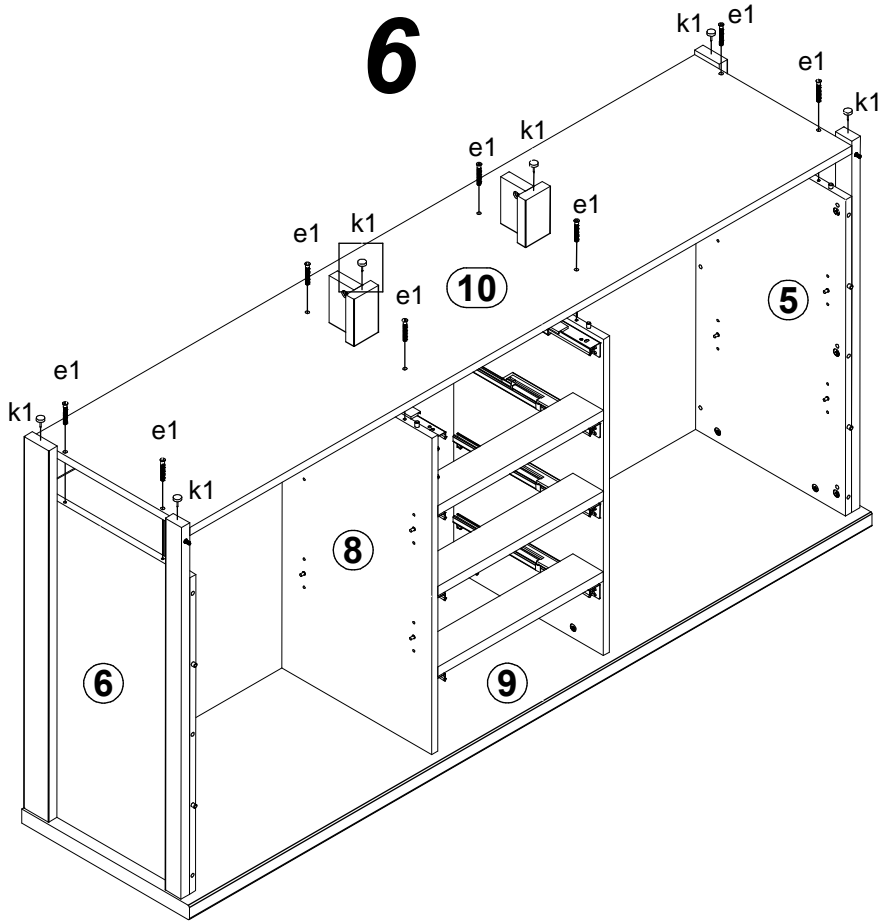
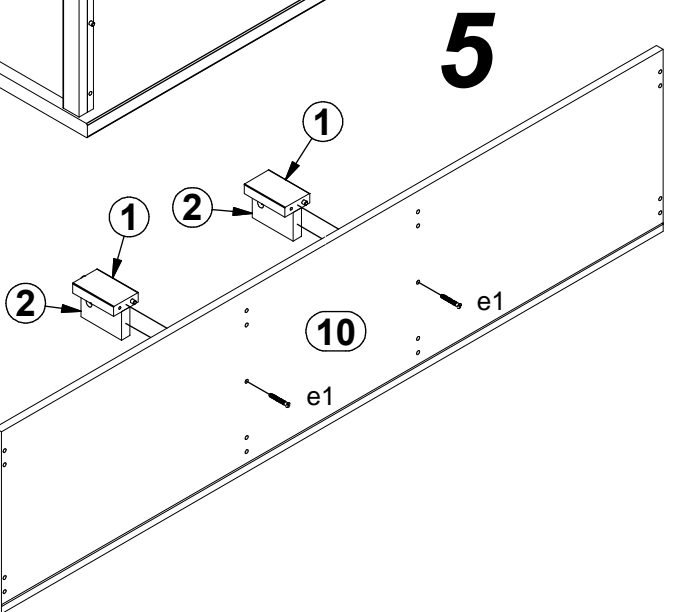
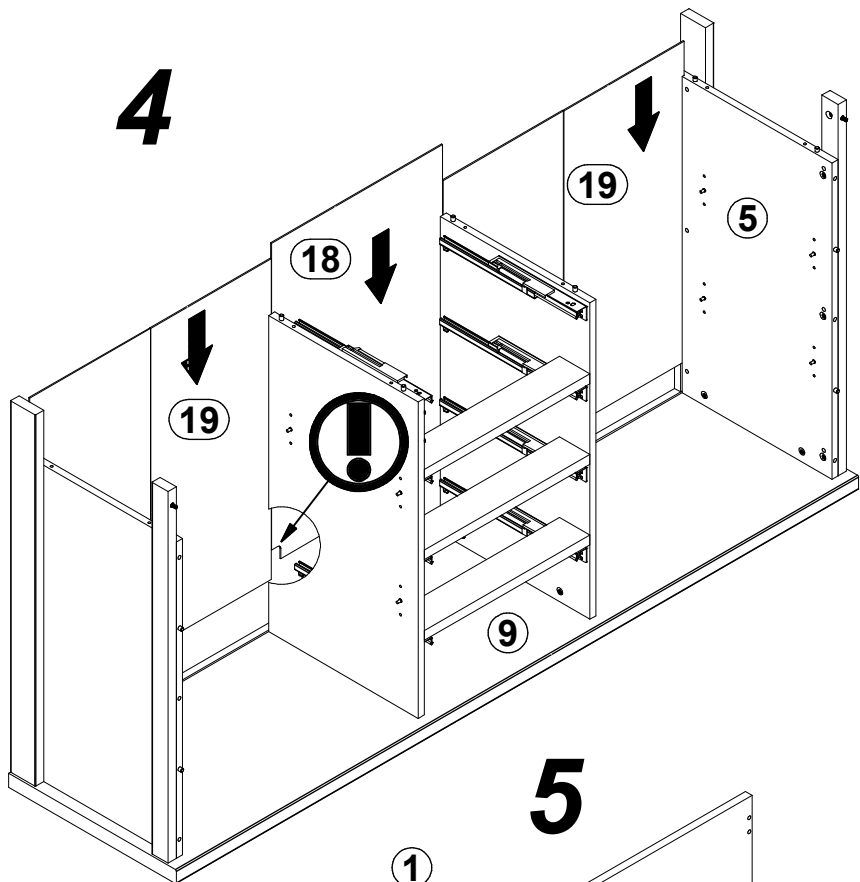
- 4x p51
- 2x a202

2

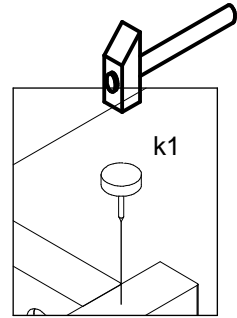
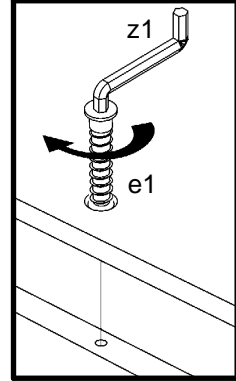


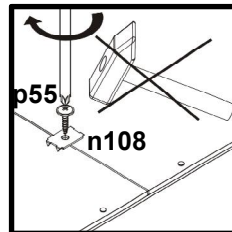
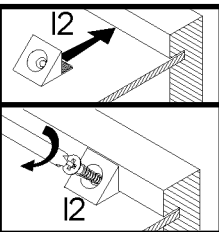
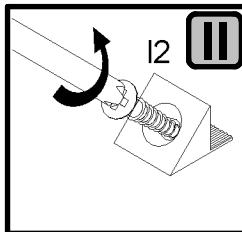
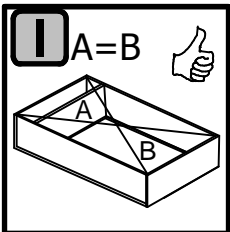
3



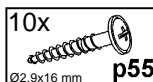
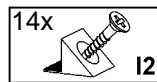
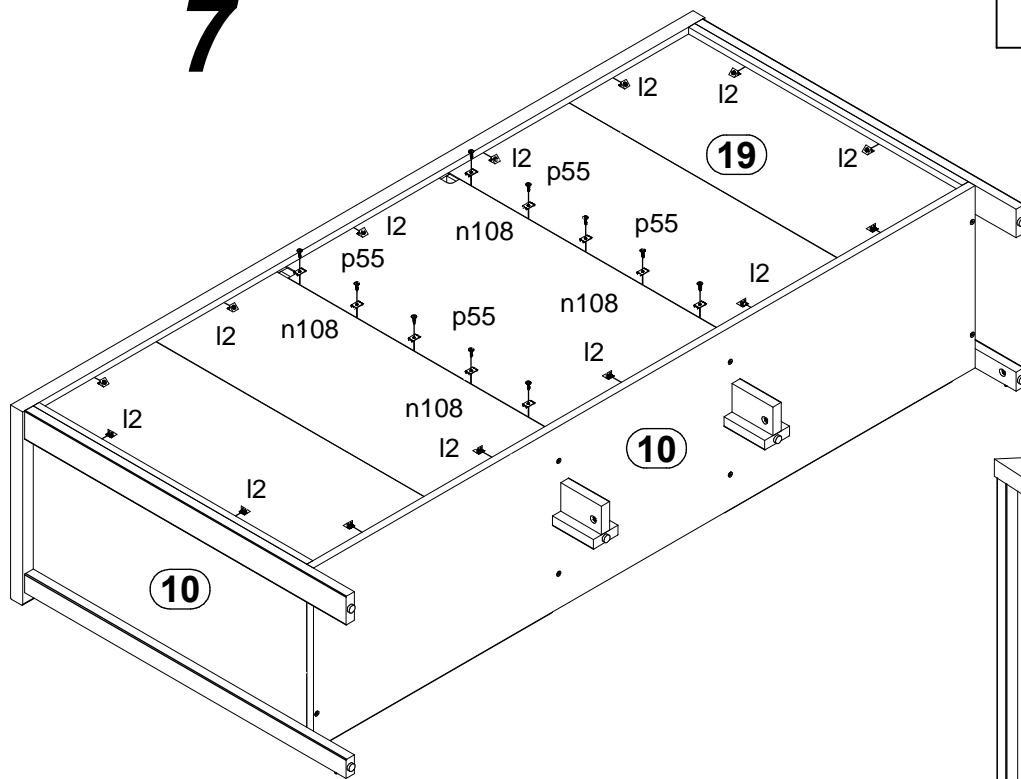


- 10x e1
Ø7x50 mm
- 6x k1

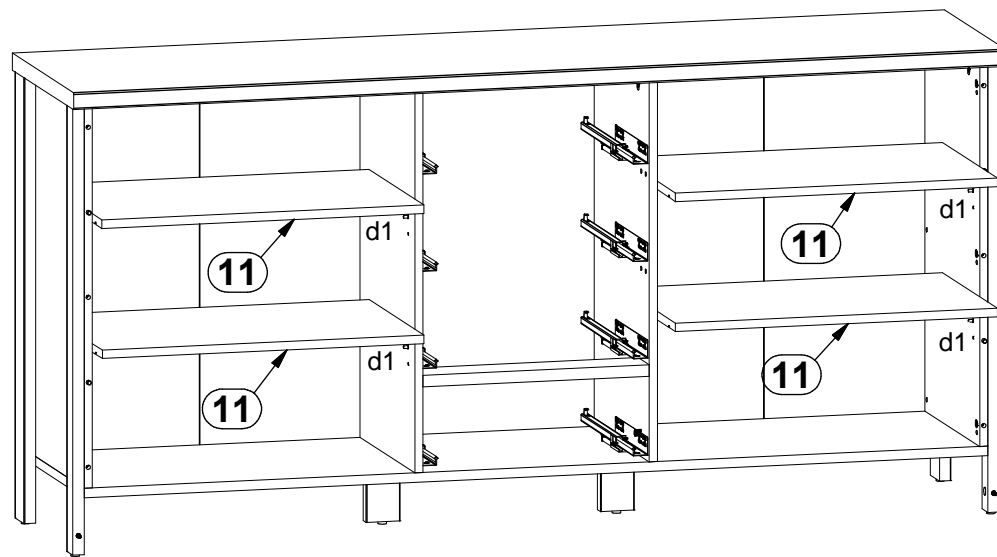
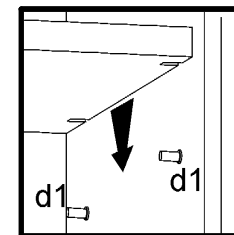


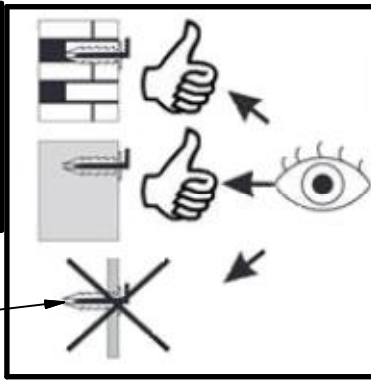
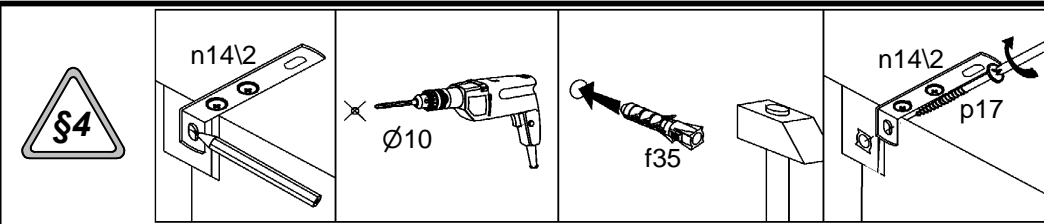
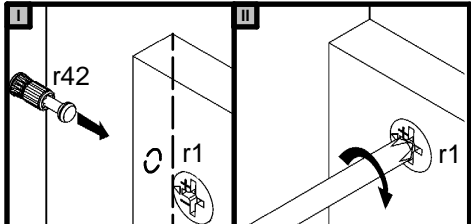


7

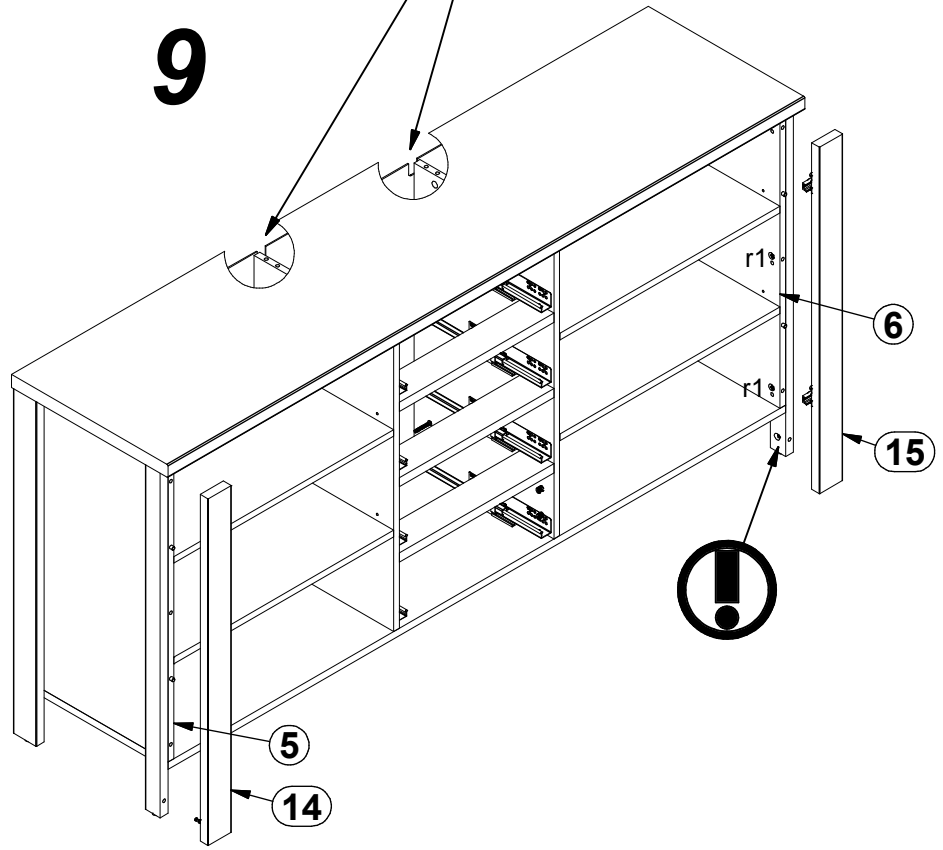


8

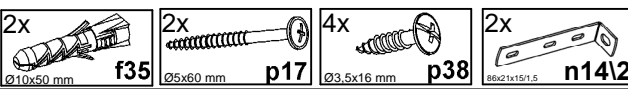
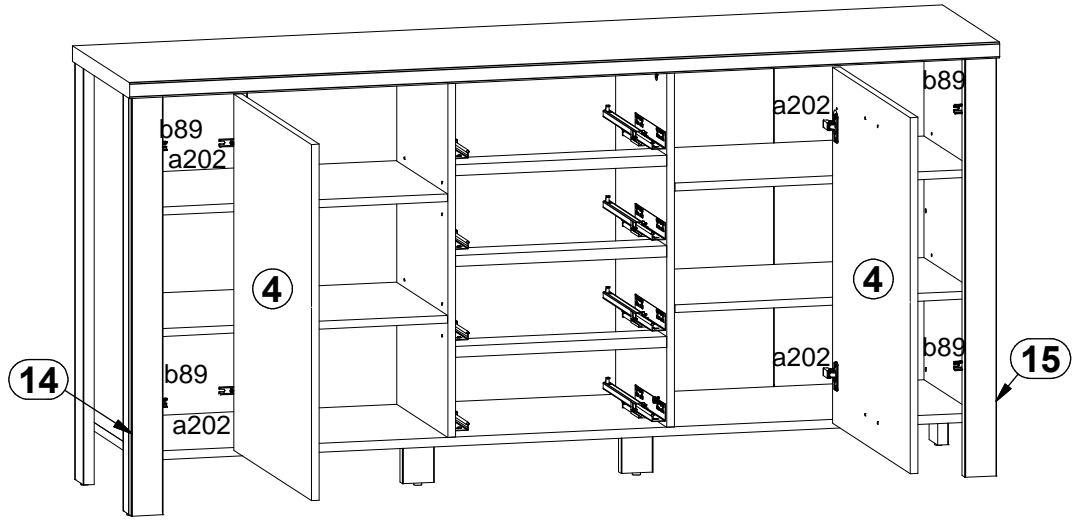
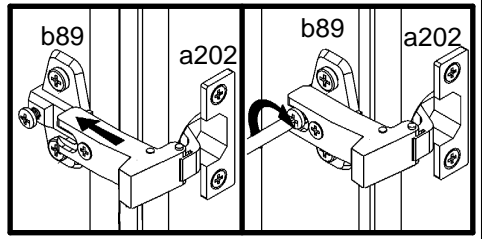


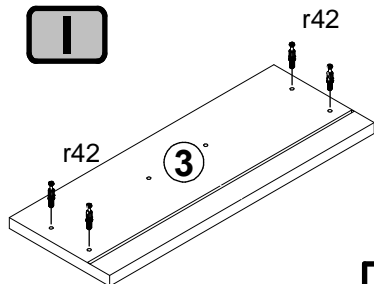
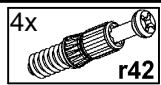
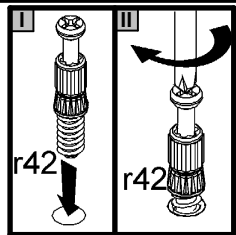


9



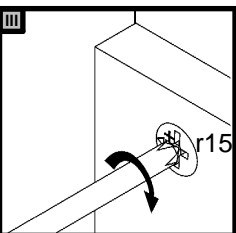
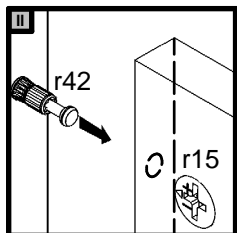
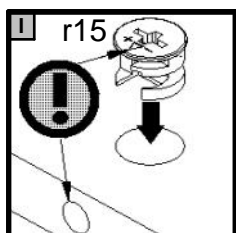
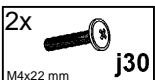
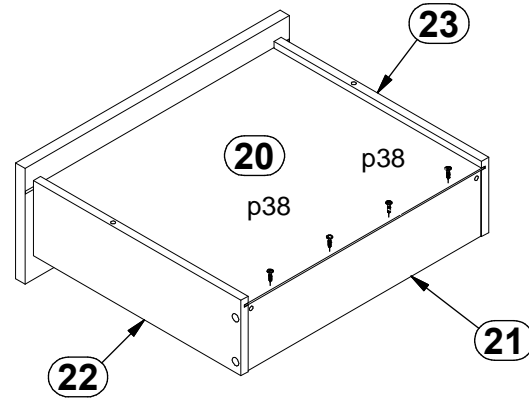
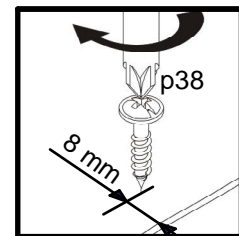
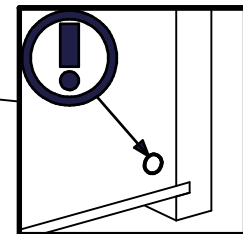
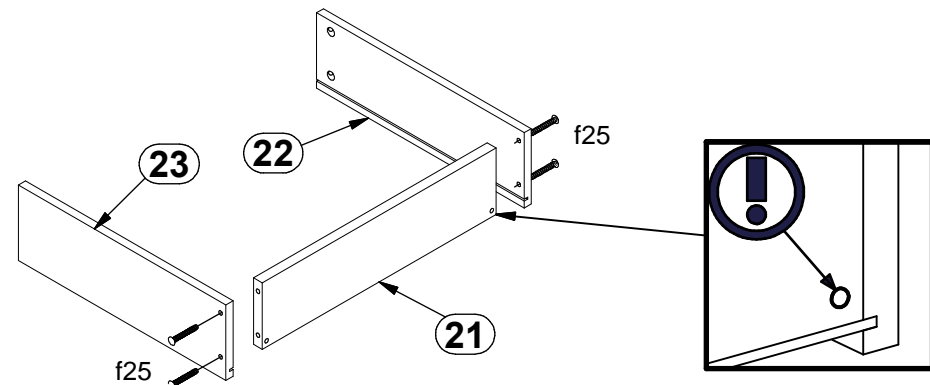
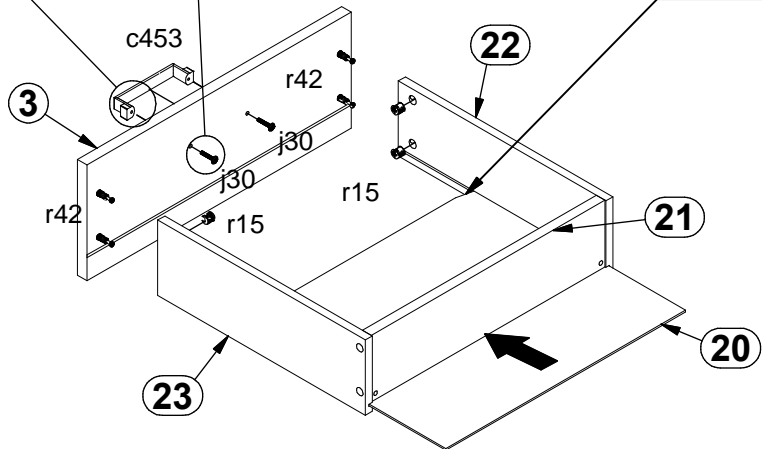
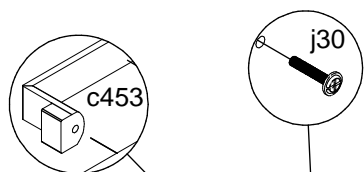
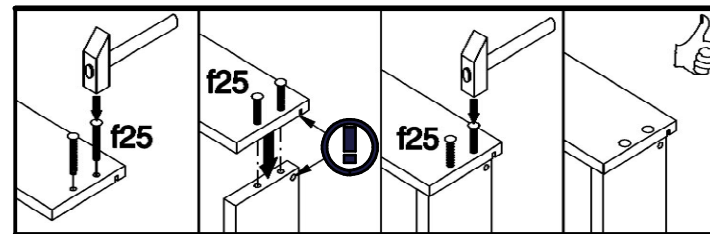
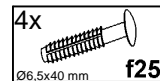
10

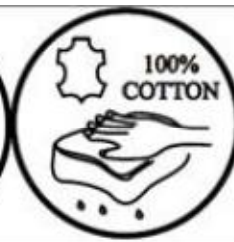
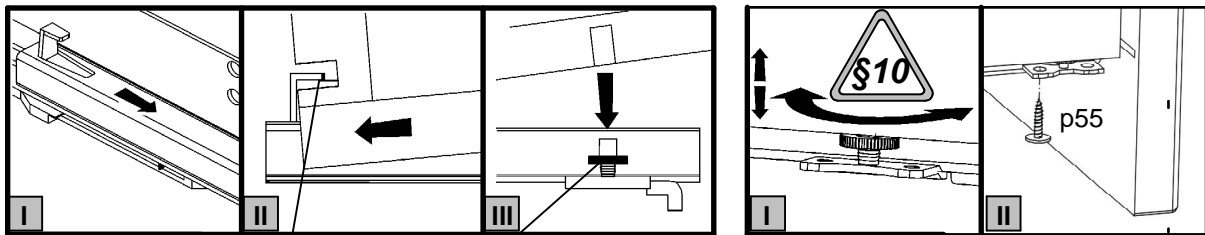




4x

11





12

