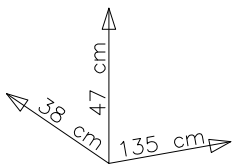
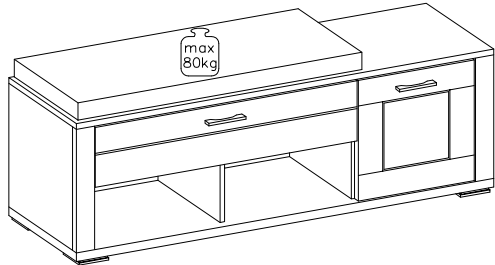
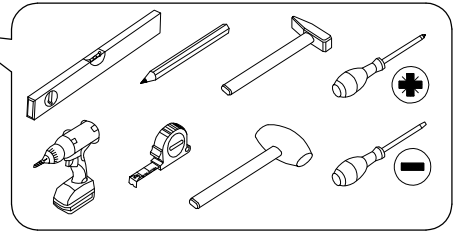
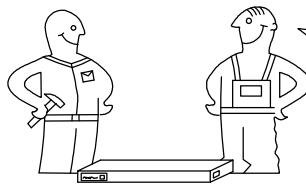
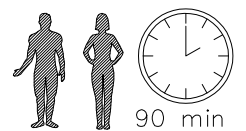
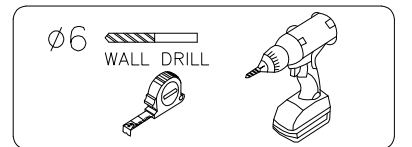
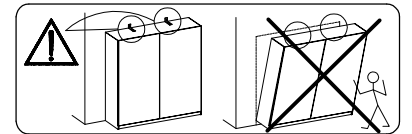
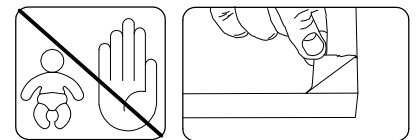
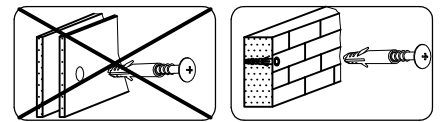
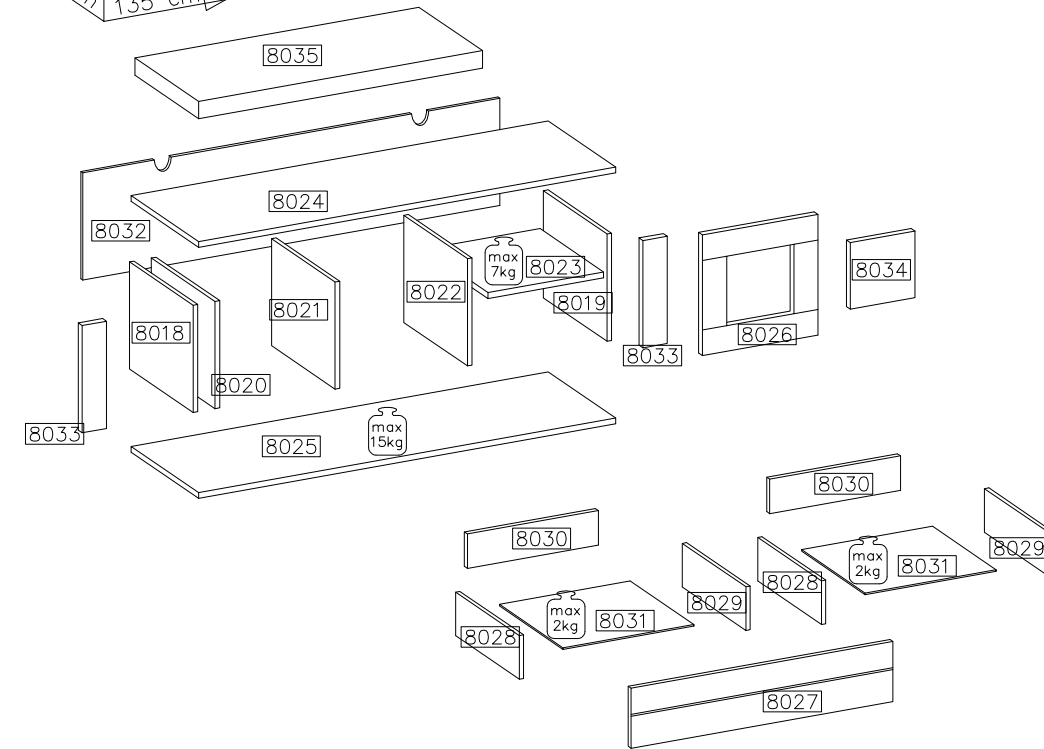
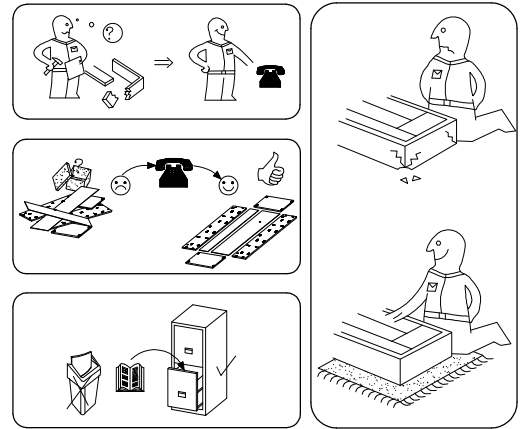


TIRA

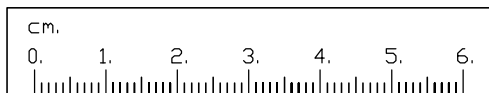
30 E6 HH 60



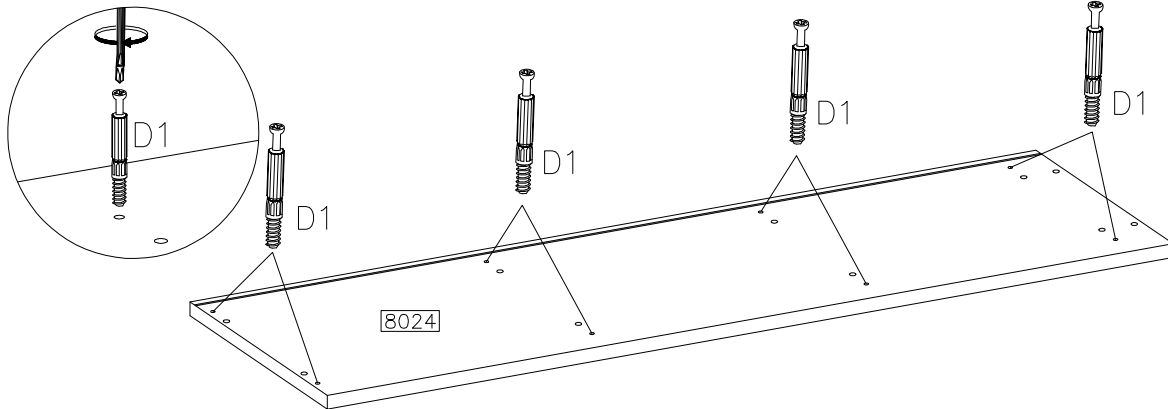
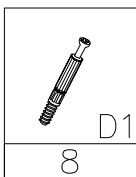
#	ART. NR	L	W	T	Q	Col.No
1	8018	356	355	16	1	1
2	8019	356	355	16	1	1
3	8020	356	335	16	1	1
4	8021	356	355	16	1	1
5	8022	356	355	16	1	1
6	8023	425	330	16	1	1
7	8024	1350	380	22	1	2
8	8025	1350	380	22	1	2
9	8026	350	380	18	1	2
10	8027	834	175	18	1	2
11	8028	300	110	16	2	1
12	8029	300	110	16	2	1
13	8030	366	93	16	2	2
14	8031	382	308	2,5	2	2
15	8032	1333	371	2,5	1	2
16	8033	356	64	22	2	1
17	8034	218	218	16	1	1
18	8035	900	380	X	1	2



Ø8x30mm A	Ø15/12mm B	C	D1	E	E1	F4	H=2 H4	G11	F9	L
28	8	12	12	12	8	6	2	1	4	8
J4	N	O	Ø4.0x30mm P3	Ø3.5x16mm P4	Ø4.0x16mm P8	Ø5.0x13mm P9	S1	M4.0x22mm R2	U	Ø35/KR-90 G9
4	2	1	24	2	20	12	2	4	8	2
L 300mm		R PR1		Ø3.0x20mm P7	Ø3.0x16mm P1	vito®		Ø6.0x50mm Z		
2KPL				4	14	1		2		



1



2

ø8x30mm



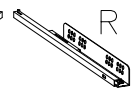
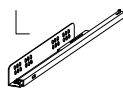
20

ø15/12mm



8

4



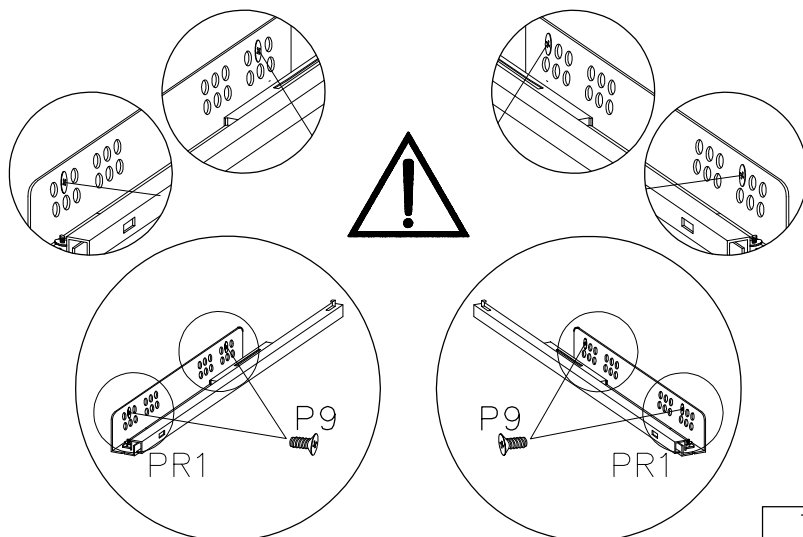
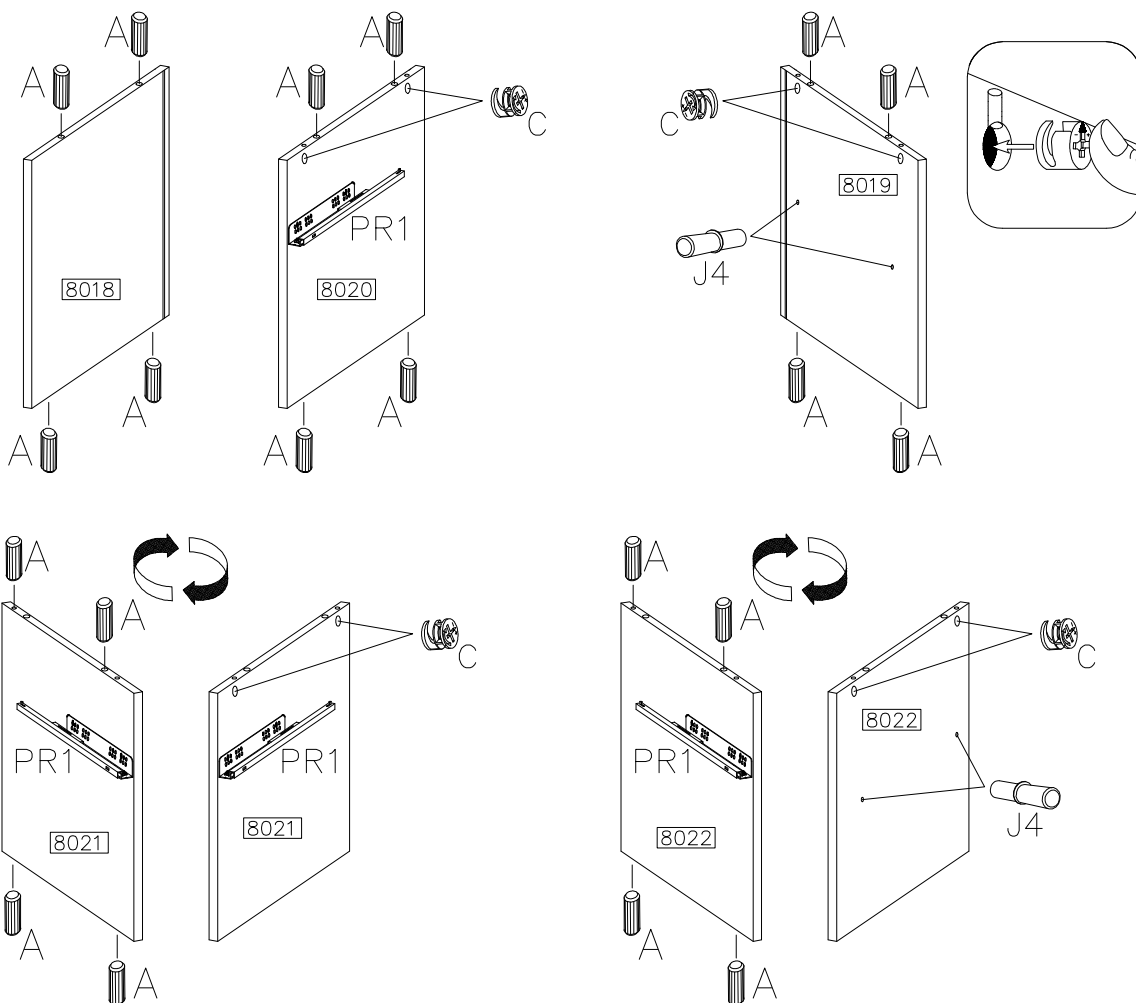
PR1

2KPL

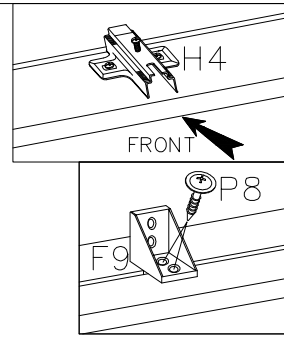
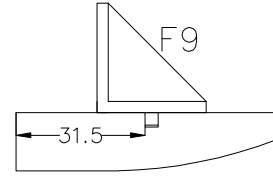
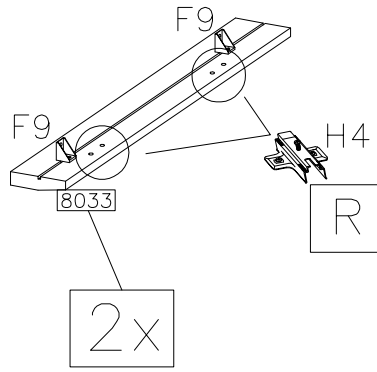
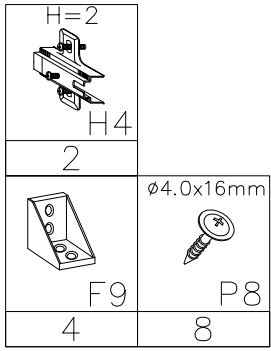
ø5.0x13mm



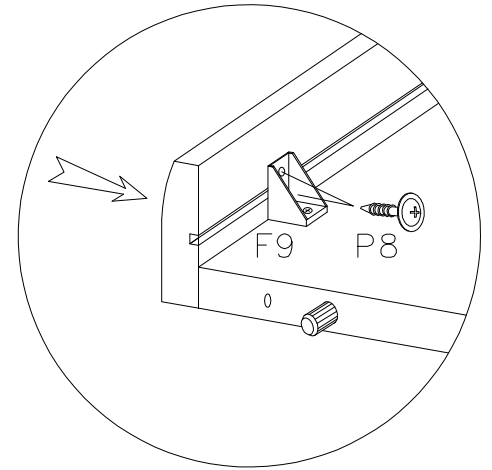
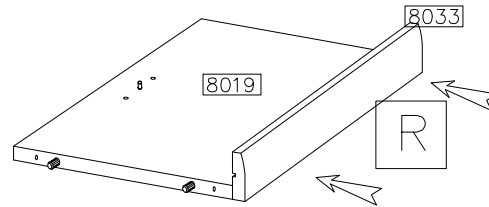
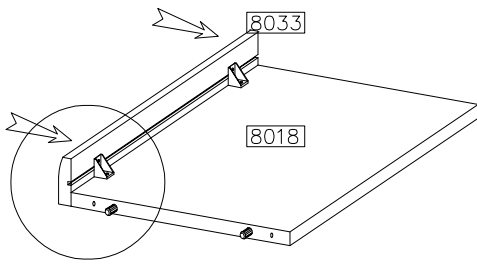
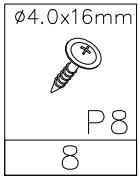
8



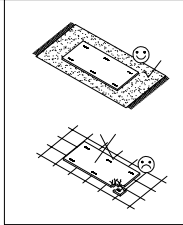
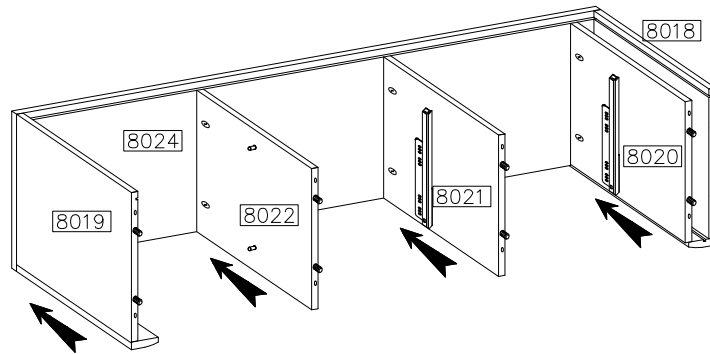
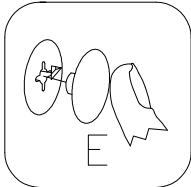
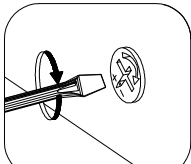
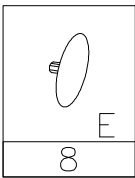
3



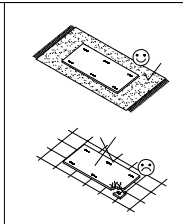
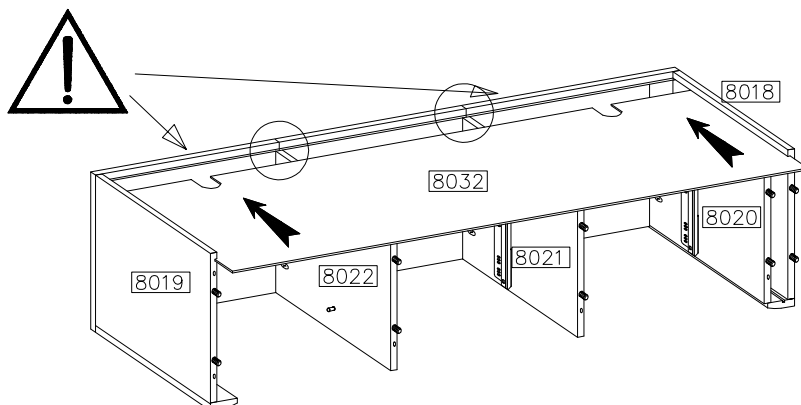
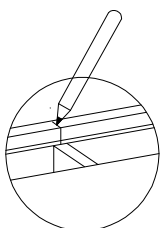
4






5

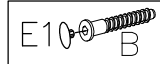
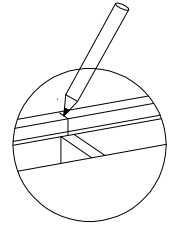
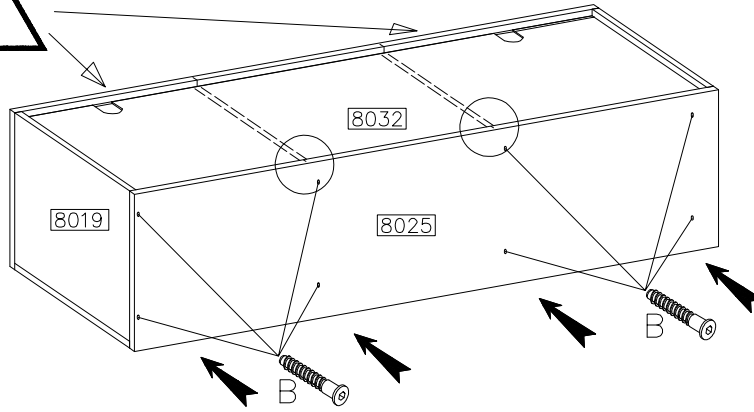


6

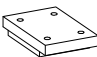



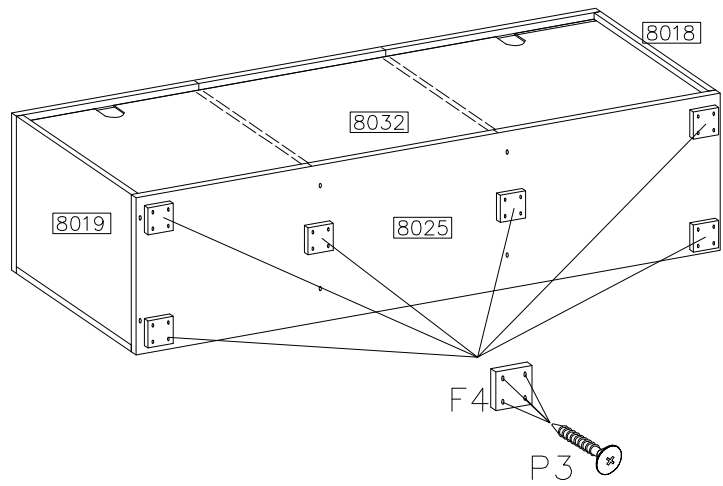
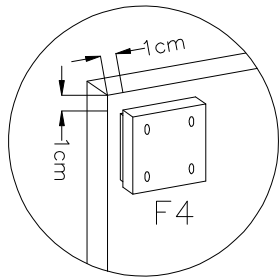
7

	
B	O
8	1
	
E1	
8	

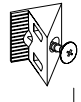



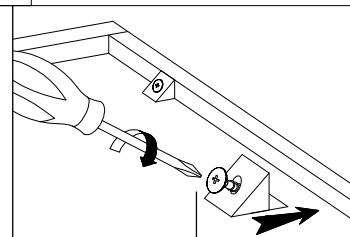
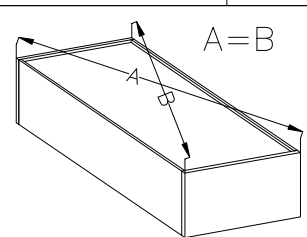
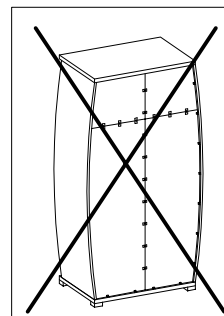
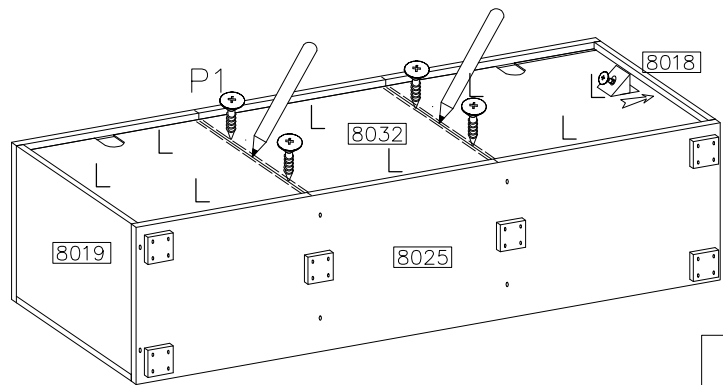
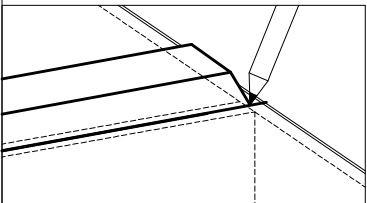
8

	
F4	P3
6	24








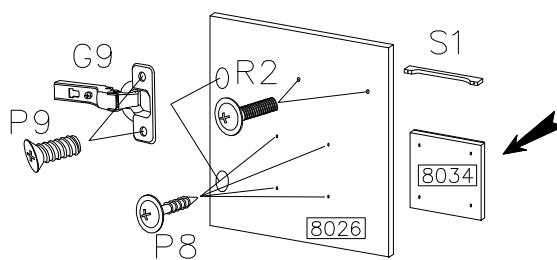
9

	
L	P1
8	4

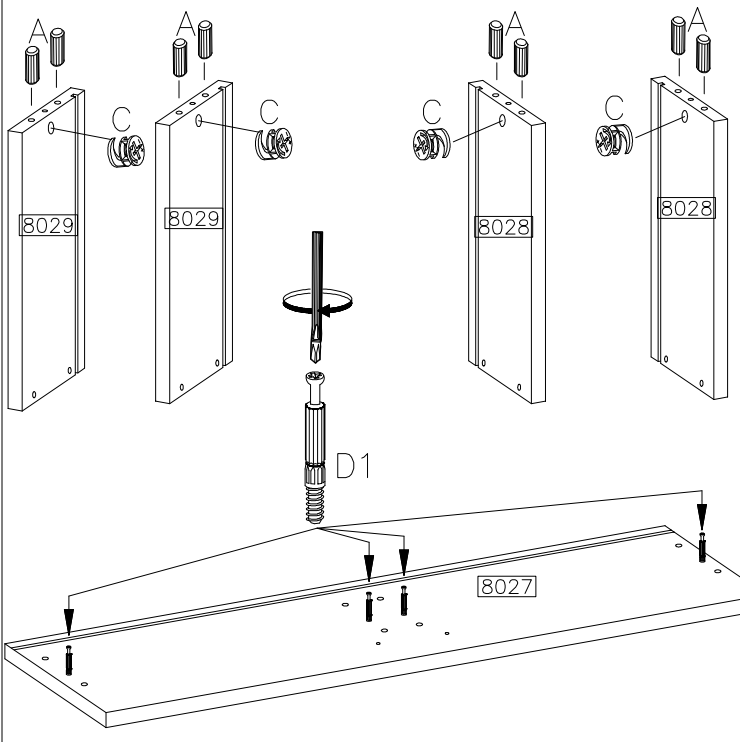


10

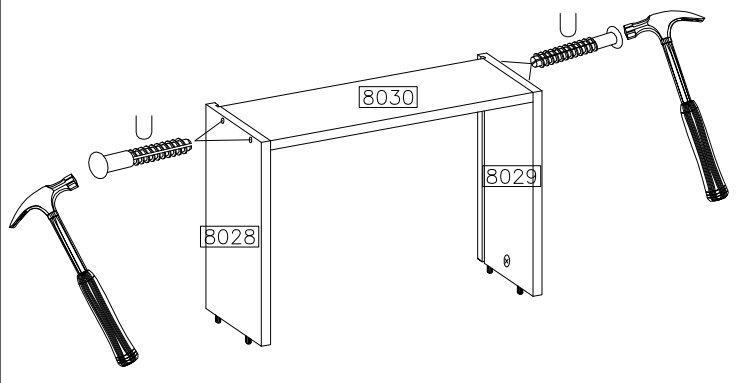
	
G9	P9
2	4
	
S1	R2
1	2
	
	P8
	4



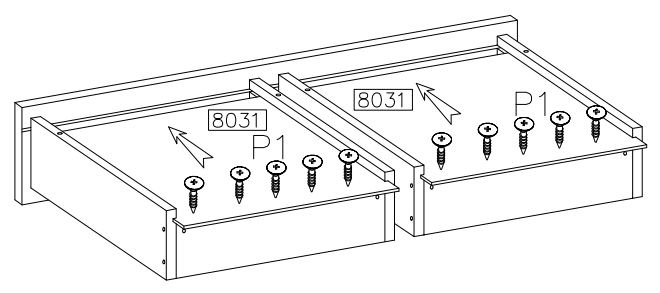
11	ø8x30mm	ø15/12mm	
	A	C	D1
	8	4	4



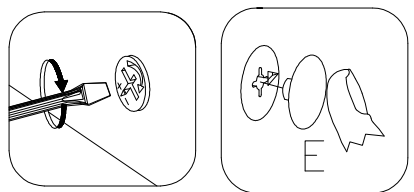
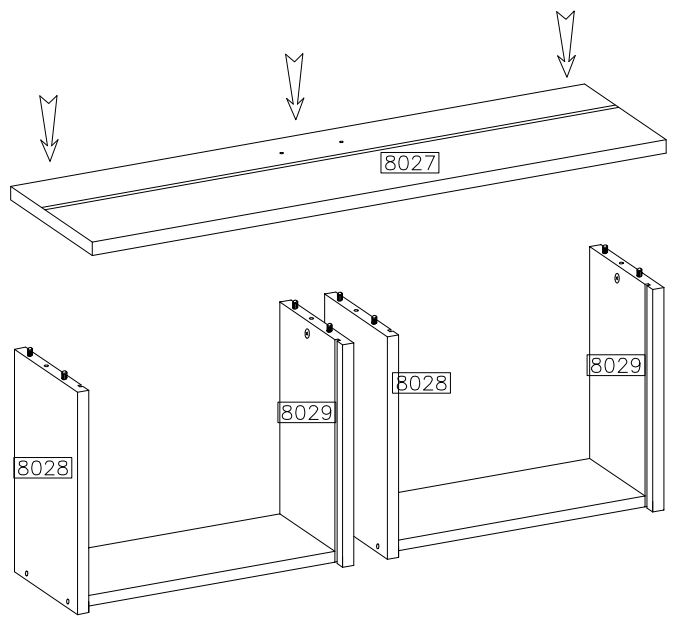
12		
	U	2x
	8	



14	ø3.0x16mm	!	90°
	P1		
	10		



13	E
	4



15		M4.0x22mm
	S1	R2
	1	2

